



**RF-BM-2652B2 CC2652R7 SimpleLink™  
Multiprotocol 2.4 GHz Wireless Module**

**Version 1.0**

Shenzhen RF-star Technology Co., Ltd.

May 25<sup>th</sup>, 2023

*All rights reserved. Those responsible for unauthorized reproduction will be prosecuted.*

## 1 Device Overview

### 1.1 Description

RF-BM-2652B2 is an RF module based on TI lower-power CC2652R7 SoC. It integrates a 48 MHz crystal and a 32.768 kHz crystal, 704 kB of in-system programmable flash, 256 kB ROM, 8 kB of Cache SRAM, 144 kB of ultra-low leakage SRAM. Its ARM® Cortex®-M4F core application processor can operate at an extremely low current at flexible power modes. Its multiprotocol 2.4 GHz RF transceiver is compatible with Thread, Zigbee®, Matter, Bluetooth® 5.2 Low Energy, IEEE 802.15.4g, IPv6-enabled smart objects (6LoWPAN), TI 15.4-Stack (2.4 GHz), and concurrent multiprotocol through a Dynamic Multiprotocol Manager (DMM) driver. It features a small size, robust connection distance, and rigid reliability.

### 1.2 Key Features

- RF Features
  - Thread, Zigbee®, Matter
  - Bluetooth® 5.2 Low Energy
  - SimpleLink™ TI 15.4-stack
  - 6LoWPAN
  - Proprietary systems
- Modulation
  - 2-(G)FSK
  - 4-(G)FSK
  - MSK
- TX power: up to +5 dBm with temperature compensation
- RF sensitivity
  - -99 dBm for 802.15.4 (2.4 GHz)
  - -104 dBm for Bluetooth 125 kbps (LE coded PHY)
- Microcontroller
  - Powerful 48 MHz ARM® Cortex®-M4F processor
  - EEBMC CoreMark® score: 148
- Memory
  - 704 kB of in-system programmable flash
  - 256 kB of ROM for Protocols and library functions
  - 8 kB of cache SRAM
  - 144 kB of ultra-low leakage SRAM
- 2-pin cJTAG and JTAG debugging
- Support OTA upgrade
- Wide Operation Range
  - Power supply: 1.8 V to 3.8 V
  - Operating temperature: -40 °C to +85 °C
  - Storage temperature: -40 °C to +125 °C
- Wide Peripherals
  - Up to 31 GPIOs, digital peripherals can be routed to any GPIO
  - Four 32-bit or eight 16-bit general-purpose timers
  - 12-bit ADC, 200 kSamples/s, 8 channels
  - 8-bit DAC
  - Two comparators
  - Programmable current source
  - Two UART, two SSI, I2C, I2S
  - Real-time clock (RTC)
  - Integrated temperature and battery monitor
- Security enablers
  - AES 128- and 256-bit cryptographic accelerator
  - ECC and RSA public key hardware accelerator
  - SHA2 Accelerator (full suite up to SHA-512)
  - True random number generator (TRNG)
- Dimension: 23.50 mm × 17.0 mm × 2.2 mm

### 1.3 Applications

- Home and building automation
- Smart grid and automatic meter reading
- Wireless sensor networks
- Factory automation
- Wireless healthcare applications
- Energy harvesting applications
- Asset tracking and management
- Electronic Shelf Label (ESL)

### 1.4 Functional Block Diagram

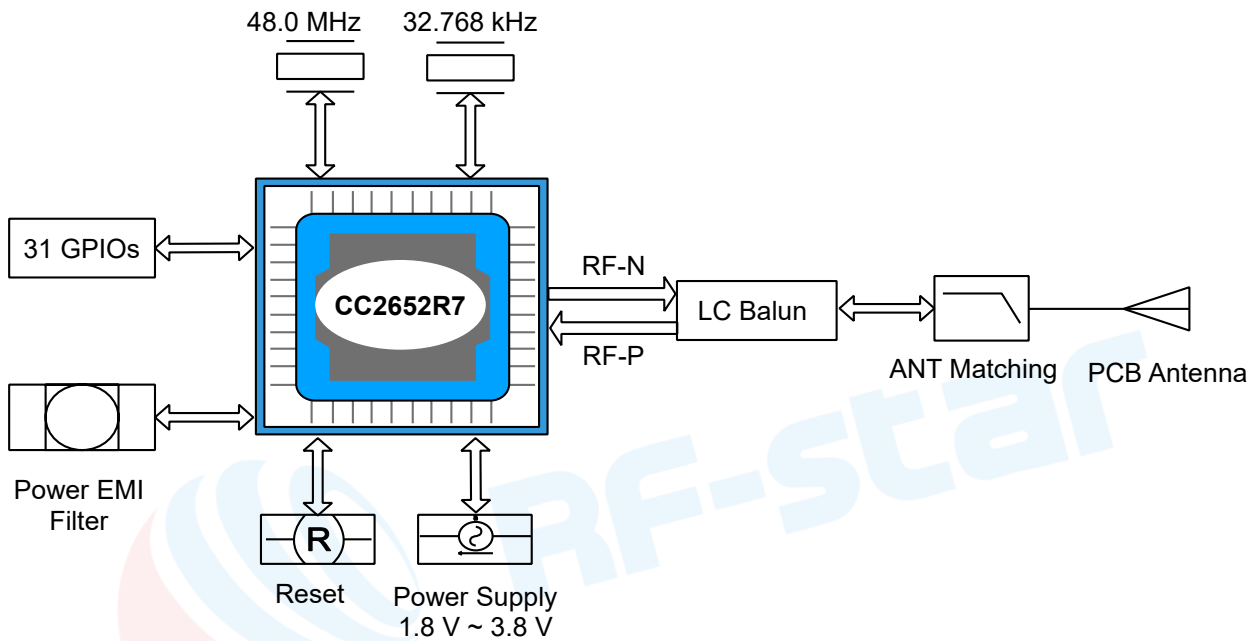


Figure 1. Functional Block Diagram of RF-BM-2652B2

### 1.6 Part Number Conventions

The part numbers are of the form of RF-BM-2652B2 where the fields are defined as follows:

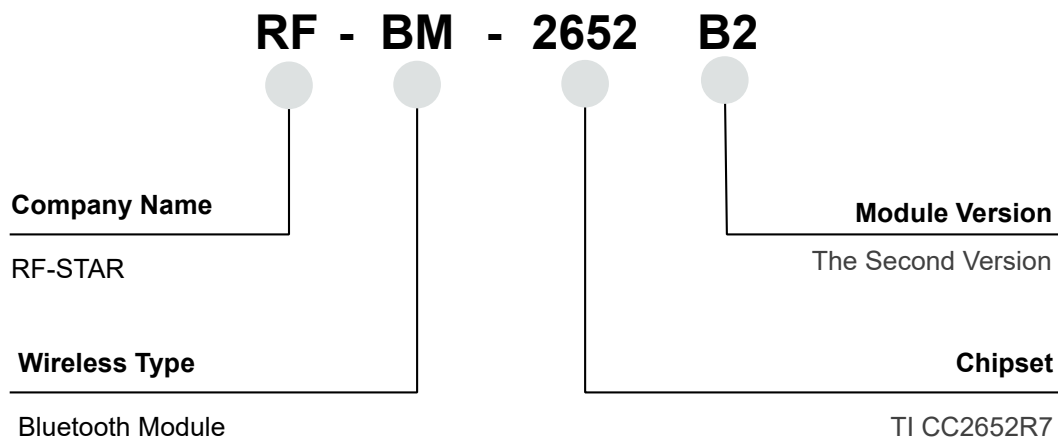


Figure 2. Part Number Conventions of RF-BM-2652B2

## Table of Contents

1 Device Overview .....	2
1.1 Description.....	2
1.2 Key Features .....	2
1.3 Applications.....	2
1.4 Functional Block Diagram .....	3
1.6 Part Number Conventions .....	3
Table of Contents.....	4
2 Module Configuration and Functions .....	5
2.1 Module Parameters.....	5
2.2 Module Pin Diagram .....	6
2.3 Pin Functions.....	6
3 Specifications .....	8
3.1 Recommended Operating Conditions .....	8
3.2 Handling Ratings.....	8
4 Application, Implementation, and Layout.....	9
4.1 Module Photos.....	9
4.2 Recommended PCB Footprint.....	9
4.3 Schematic Diagram.....	10
4.4 Reference Design .....	10
4.5 Antenna.....	11
4.5.1 Antenna Design Recommendation .....	11
4.6 Basic Operation of Hardware Design .....	11
4.7 Trouble Shooting.....	12
4.7.1 Unsatisfactory Transmission Distance.....	12
4.7.2 Vulnerable Module.....	13
4.7.3 High Bit Error Rate .....	13
4.8 Electrostatics Discharge Warnings .....	13
4.9 Soldering and Reflow Condition.....	13
5 Optional Package Specification .....	15
6 Revision History .....	17
7 Contact Us.....	18

## 2 Module Configuration and Functions

### 2.1 Module Parameters

Table 1. Parameters of RF-BM-2652B2

Chipset	CC2652R7
Supply Power Voltage	1.8 V ~ 3.8 V, 3.3 V is recommended
Frequency	2402 MHz ~ 2480 MHz
Maximum Transmit Power	+5.0 dBm
Receiving Sensitivity	-99 dBm @ 802.15.4 (2.4 GHz) -104 dBm @ Bluetooth 125 kbps (LE Coded PHY)
GPIO	31
Flash	704 kB
ROM	256 kB
SRAM	152 kB
Power Consumption	RX current: 6.4 mA TX current: 7.3 mA @ 0 dBm 9.7 mA @ 5 dBm MCU 48 MHz (CoreMark): 3.1 mA Sensor Controller: 29.2 $\mu$ A @ Low Power-Mode, 2 MHz 799 $\mu$ A @ Active-Mode, 24 MHz Standby: 0.9 $\mu$ A Shutdown: 0.1 $\mu$ A
Support Protocol	Matter, Thread, ZigBee, BLE5.2, IEEE 802.15.4, 6LoWPAN, proprietary systems, SimpleLink™ TI 15.4 stack (2.4 GHz)
Crystal	48 MHz, 32.768 kHz
Package	SMT packaging (1.27-mm half-hole pitch stamp stick)
Dimension	23.50 mm × 17.0 mm × 2.2 mm
Type of Antenna	PCB antenna
Operating Temperature	-40 °C ~ +85 °C
Storage Temperature	-40 °C ~ +125 °C

## 2.2 Module Pin Diagram

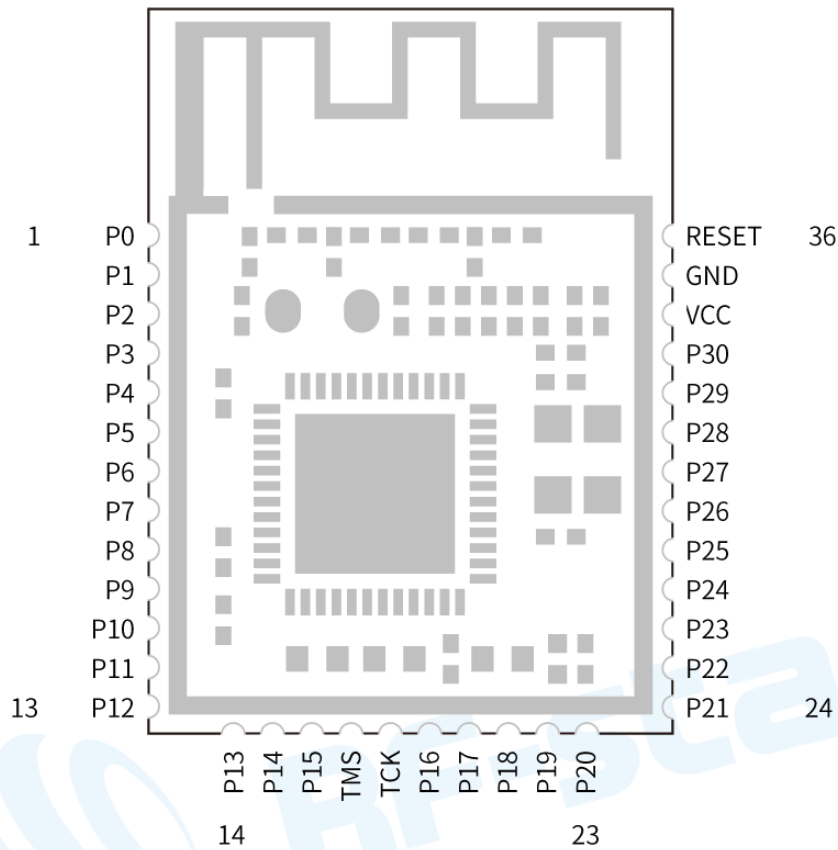


Figure 3. Pin Diagram of RF-BM-2652B2

## 2.3 Pin Functions

Table 2. Pin Functions of RF-BM-2652B2

Pin	Name	Chip Pin	Function	Description
1	P00	DIO_0	Digital	GPIO
2	P01	DIO_1	Digital	GPIO
3	P02	DIO_2	Digital	GPIO
4	P03	DIO_3	Digital	GPIO
5	P04	DIO_4	Digital	GPIO
6	P05	DIO_5	Digital	GPIO, high-drive capability
7	P06	DIO_6	Digital	GPIO, high-drive capability
8	P07	DIO_7	Digital	GPIO, high-drive capability
9	P08	DIO_8	Digital	GPIO
10	P09	DIO_9	Digital	GPIO
11	P10	DIO_10	Digital	GPIO

12	P11	DIO_11	Digital	GPIO
13	P12	DIO_12	Digital	GPIO
14	P13	DIO_13	Digital	GPIO
15	P14	DIO_14	Digital	GPIO
16	P15	DIO_15	Digital	GPIO
17	JTAG_TMISC	JTAG_TMISC	Digital	JTAG TMISC, high-drive capability
18	JTAG_TCKC	JTAG_TCKC	Digital	JTAG TCKC
19	P16	DIO_16	Digital	GPIO, JTAG_TDO, high-drive capability
20	P17	DIO_17	Digital	GPIO, JTAG_TDI, high-drive capability
21	P18	DIO_18	Digital	GPIO
22	P19	DIO_19	Digital	GPIO
23	P20	DIO_20	Digital	GPIO
24	P21	DIO_21	Digital	GPIO
25	P22	DIO_22	Digital	GPIO
26	P23	DIO_23	Digital or Analog	GPIO, analog capability
27	P24	DIO_24	Digital or Analog	GPIO, analog capability
28	P25	DIO_25	Digital or Analog	GPIO, analog capability
29	P26	DIO_26	Digital or Analog	GPIO, analog capability
30	P27	DIO_27	Digital or Analog	GPIO, analog capability
31	P28	DIO_28	Digital or Analog	GPIO, analog capability
32	P29	DIO_29	Digital or Analog	GPIO, analog capability
33	P30	DIO_30	Digital or Analog	GPIO, analog capability
34	VDD_EB	VDD	VDD	Power Supply: 1.8 V ~ 3.8 V, recommend to 3.3 V
35	GND	GND	GND	Ground
36	NRESET	RESET_N	RESET_N	Reset, active-low. Internal pullup.

### 3 Specifications

#### 3.1 Recommended Operating Conditions

The functional operation does not guarantee performance beyond the limits of the conditional parameter values in the table below. Long-term work beyond this limit will affect the reliability of the module more or less.

Table 3. Recommended Operating Conditions of RF-BM-2652B2

Items	Condition	Min.	Typ.	Max.	Unit
Operating Supply Voltage	/	1.8	3.3	3.8	V
Operating Temperature	/	-40	+25	+85	°C

#### 3.2 Handling Ratings

Table 4. Handling Ratings of RF-BM-2652B2

Items	Condition	Min.	Typ.	Max.	Unit
Storage Temperature	Tstg	-40	+25	+125	°C
Human Body Model	HBM		±2000		V
Moisture Sensitivity Level			3		
Charged Device Model			±500		V



## 4 Application, Implementation, and Layout

### 4.1 Module Photos

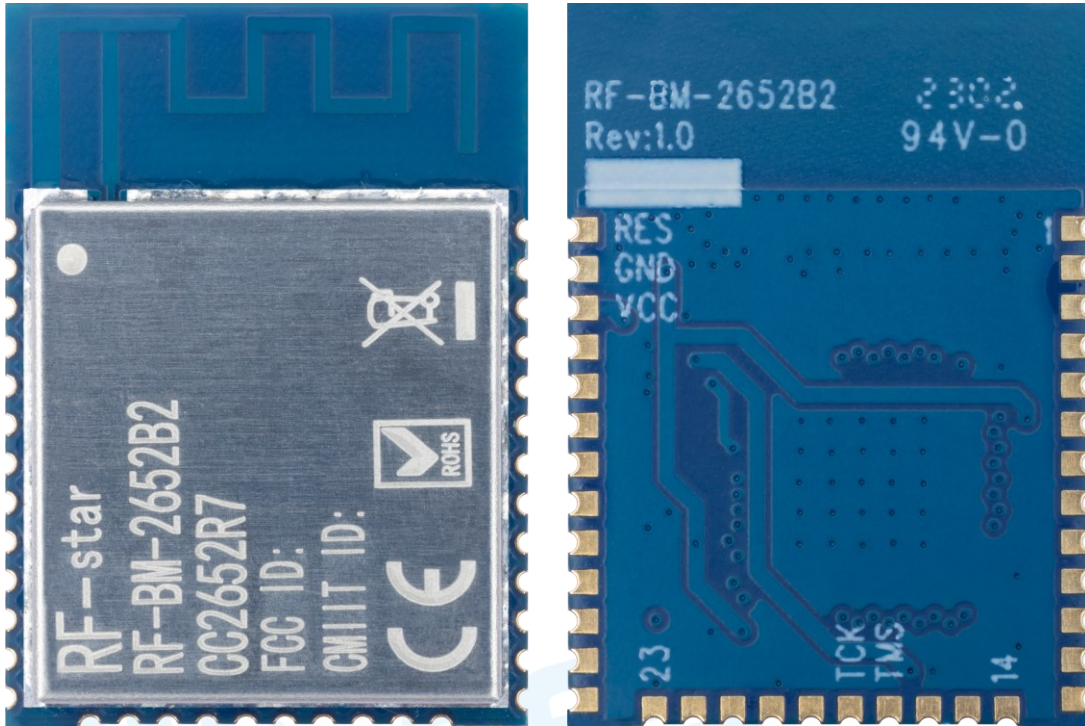


Figure 4. Photos of RF-BM-2652B2

### 4.2 Recommended PCB Footprint

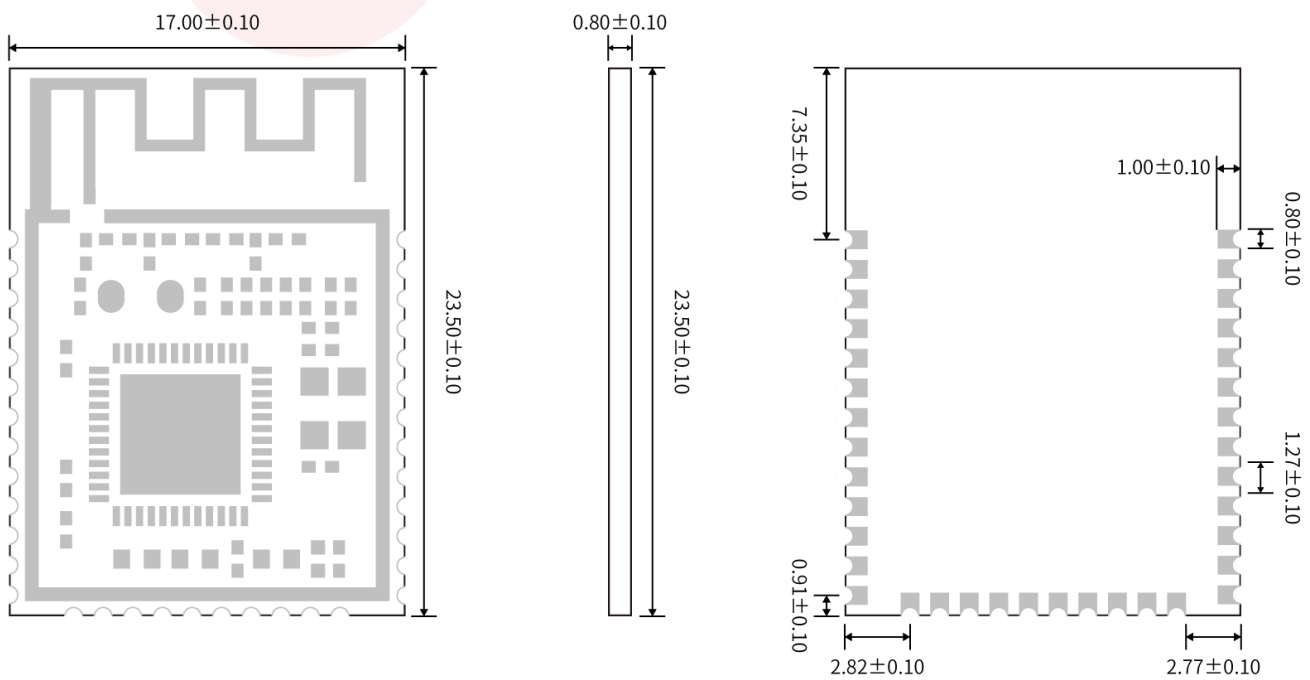


Figure 5. Recommended PCB Footprint of RF-BM-2652B2 (mm)

### 4.3 Schematic Diagram

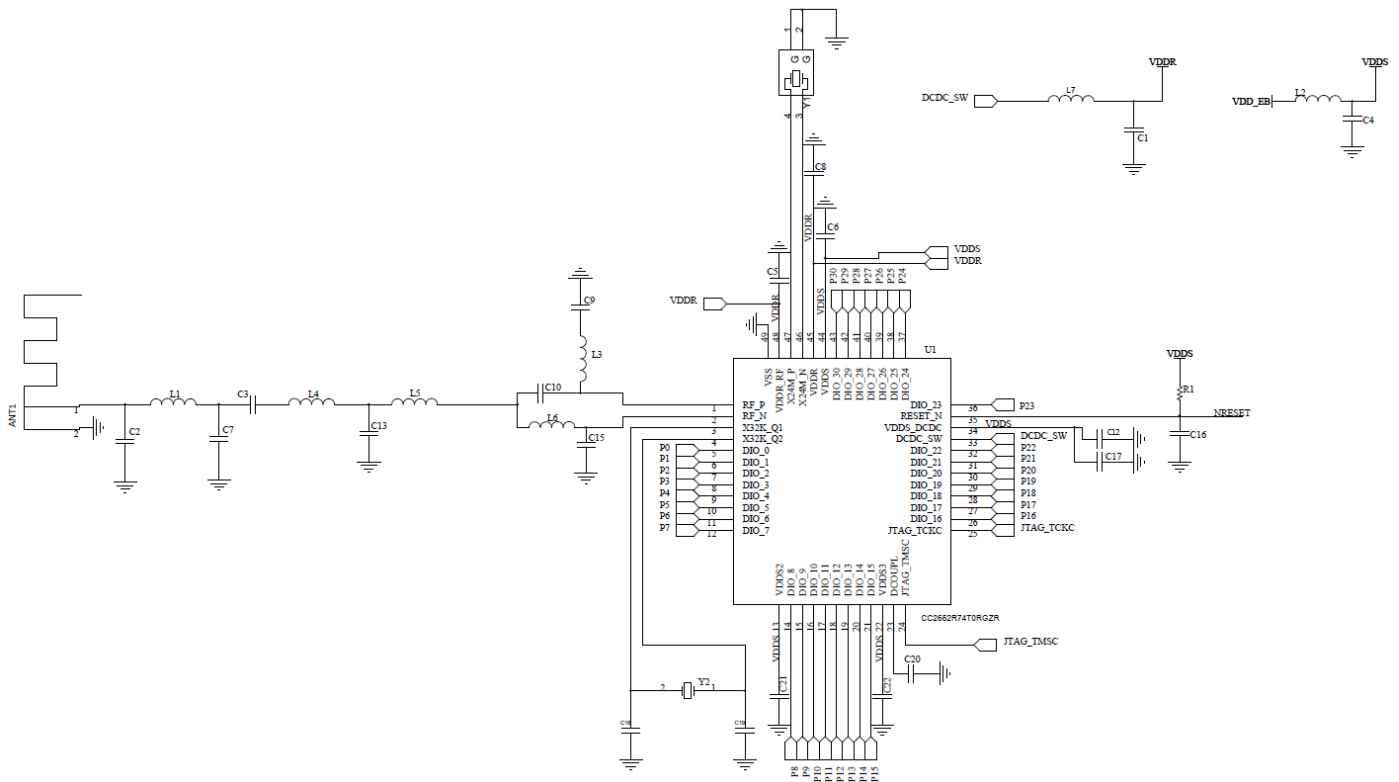


Figure 6. Schematic Diagram of RF-BM-2652B2

### 4.4 Reference Design

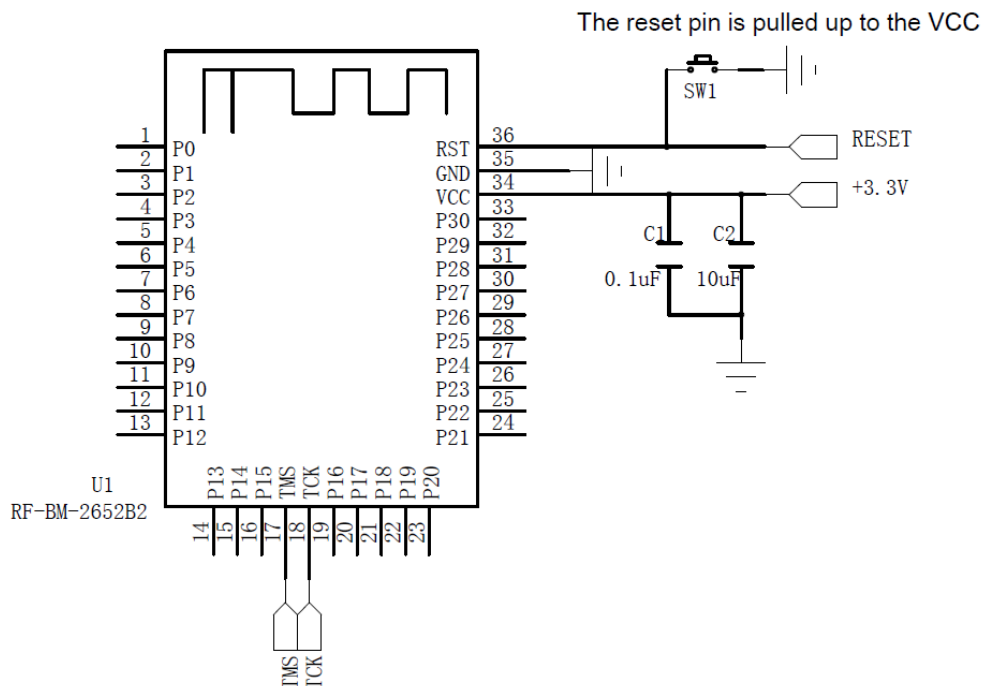


Figure 7. Reference Design of RF-BM-2652B2

## 4.5 Antenna

### 4.5.1 Antenna Design Recommendation

1. The antenna installation structure has a great influence on the module performance. It is necessary to ensure the antenna is exposed and preferably vertically upward. When the module is installed inside of the case, a high-quality antenna extension wire can be used to extend the antenna to the outside of the case.
2. The antenna must not be installed inside the metal case, which will cause the transmission distance to be greatly weakened.
3. The recommendation of antenna layout.

The inverted-F antenna position on PCB is free-space electromagnetic radiation. The location and layout of the antenna are key factors to increase the data rate and transmission range.

Therefore, the layout of the module antenna location and routing is recommended as follows:

- (1) Place the antenna on the edge (corner) of the PCB.
- (2) Make sure that there is no signal line or copper foil in each layer below the antenna.
- (3) It is best to hollow out the antenna position in the following figure to ensure that the S11 of the module is minimally affected.

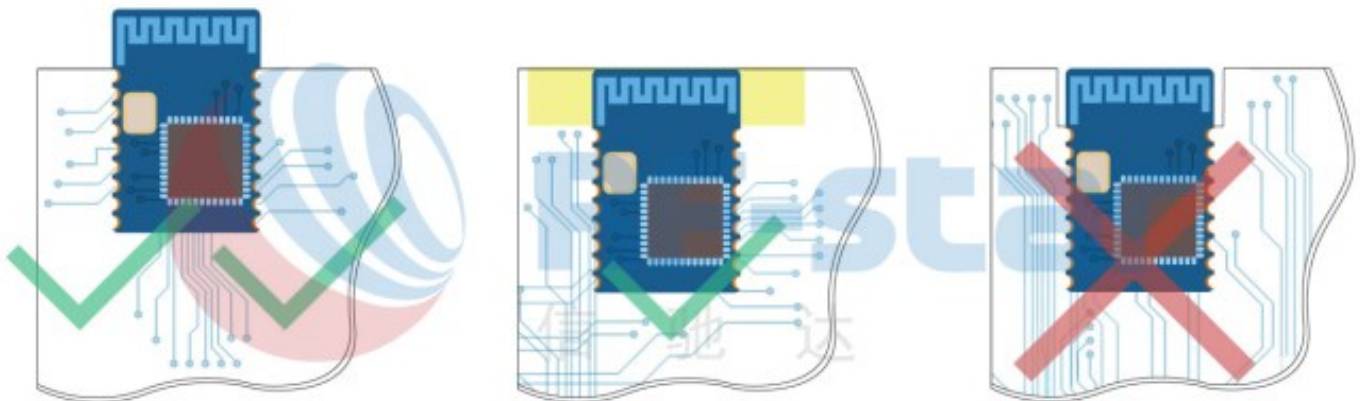


Figure 8. Recommendation of Antenna Layout

Note: The hollow-out position is based on the antenna used.

### 4.6 Basic Operation of Hardware Design

1. It is recommended to offer the module a DC stabilized power supply, a tiny power supply ripple coefficient, and reliable ground. Please pay attention to the correct connection between the positive and negative poles of the power supply. Otherwise, the reverse connection may cause permanent damage to the module.
2. Please ensure the supply voltage is between the recommended values. The module will be permanently damaged if the voltage exceeds the maximum value. Please ensure a stable power supply and no frequently fluctuating voltage.

3. When designing the power supply circuit for the module, it is recommended to reserve more than 30% of the margin, which is beneficial to the long-term stable operation of the whole machine. The module should be far away from the power electromagnetic, transformer, high-frequency wiring, and other parts with large electromagnetic interference.
4. The bottom of the module should avoid high-frequency digital routing, high-frequency analog routing, and power routing. If it has to route the wire on the bottom of the module, for example, it is assumed that the module is soldered to the Top Layer, the copper must be spread on the connection part of the top layer and the module, and be close to the digital part of the module and routed in the Bottom Layer (all copper is well-grounded).
5. Assuming that the module is soldered or placed in the Top Layer, it is also wrong to randomly route the Bottom Layer or other layers, which will affect the spurs and receiving sensitivity of the module to some degree.
6. Assuming that there are devices with large electromagnetic interference around the module, which will greatly affect the module performance. It is recommended to stay away from the module according to the strength of the interference. If circumstances permit, appropriate isolation and shielding can be done.
7. Assuming that there are routings of large electromagnetic interference around the module (high-frequency digital, high-frequency analog, power routings), which will also greatly affect the module performance. It is recommended to stay away from the module according to the strength of the interference. If circumstances permit, appropriate isolation and shielding can be done.
8. It is recommended to stay away from devices whose TTL protocol is the same 2.4 GHz physical layer, for example, USB 3.0.

## 4.7 Trouble Shooting

### 4.7.1 Unsatisfactory Transmission Distance

1. When there is a linear communication obstacle, the communication distance will be correspondingly weakened. Temperature, humidity, and co-channel interference will lead to an increase in the communication packet loss rate. The performance of ground absorption and reflection of radio waves will be poor when the module is tested close to the ground.
2. Seawater has a strong ability to absorb radio waves, so the test results by the seaside are poor.
3. The signal attenuation will be very obvious if there is metal near the antenna or if the module is placed inside the metal shell.
4. The incorrect power register set or the high data rate in the open air may shorten the communication distance. The higher the data rate, the closer the distance.
5. The low voltage of the power supply is lower than the recommended value at ambient temperature, and the lower the voltage, the smaller the power is.
6. The unmatchable antennas and modules or the poor quality of antenna will affect the communication distance.

#### 4.7.2 Vulnerable Module

1. Please ensure the supply voltage is between the recommended values. The module will be permanently damaged if the voltage exceeds the maximum value. Please ensure a stable power supply and no frequently fluctuating voltage.
2. Please ensure the anti-static installation and the electrostatic sensitivity of high-frequency devices.
3. Due to some humidity-sensitive components, please ensure the suitable humidity during installation and application. If there is no special demand, it is not recommended to use at too high or too low temperature.

#### 4.7.3 High Bit Error Rate

1. There are co-channel signal interferences nearby. It is recommended to be away from the interference sources or modify the frequency and channel to avoid interferences.
2. The unsatisfactory power supply may also cause garbled. It is necessary to ensure the power supply's reliability.
3. If the extension wire or feeder wire is of poor quality or too long, the bit error rate will be high.

#### 4.8 Electrostatics Discharge Warnings

The module will be damaged by the discharge of static. RF-star suggests that all modules should follow the 3 precautions below:

1. According to the anti-static measures, bare hands are not allowed to touch modules.
2. Modules must be placed in anti-static areas.
3. Take the anti-static circuitry (when inputting HV or VHF) into consideration in product design.  
Static may result in the degradation in performance of the module, even causing failure.

#### 4.9 Soldering and Reflow Condition

1. Heating method: Conventional Convection or IR/convection.
2. Solder paste composition: Sn96.5/Ag3.0/Cu0.5
3. Allowable reflow soldering times: 2 times based on the following reflow soldering profile.
4. Temperature profile: Reflow soldering shall be done according to the following temperature profile.
5. Peak temperature: 245 °C.

Table 5. Temperature Table of Soldering and Reflow

Profile Feature	Sn-Pb Assembly	Pb-Free Assembly
<b>Solder Paste</b>	Sn63 / Pb37	Sn96.5 / Ag3.0 / Cu0.5
<b>Min. Preheating Temperature (T<sub>min</sub>)</b>	100 °C	150 °C
<b>Max. Preheating Temperature (T<sub>max</sub>)</b>	150 °C	200 °C
<b>Preheating Time (T<sub>min</sub> to T<sub>max</sub>) (t<sub>1</sub>)</b>	60 s ~ 120 s	60 s ~ 120 s

<b>Average Ascend Rate (<math>T_{max}</math> to <math>T_p</math>)</b>	Max. 3 °C/s	Max. 3 °C/s
<b>Liquid Temperature (<math>T_L</math>)</b>	183 °C	217 °C
<b>Time above Liquidus (<math>t_L</math>)</b>	60 s ~ 90 s	30 s ~ 90 s
<b>Peak Temperature (<math>T_p</math>)</b>	220 °C ~ 235 °C	230 °C ~ 250 °C
<b>Average Descend Rate (<math>T_p</math> to <math>T_{max}</math>)</b>	Max. 6 °C/s	Max. 6 °C/s
<b>Time from 25 °C to Peak Temperature (<math>t_2</math>)</b>	Max. 6 minutes	Max. 8 minutes
<b>Time of Soldering Zone (<math>t_p</math>)</b>	20±10 s	20±10 s

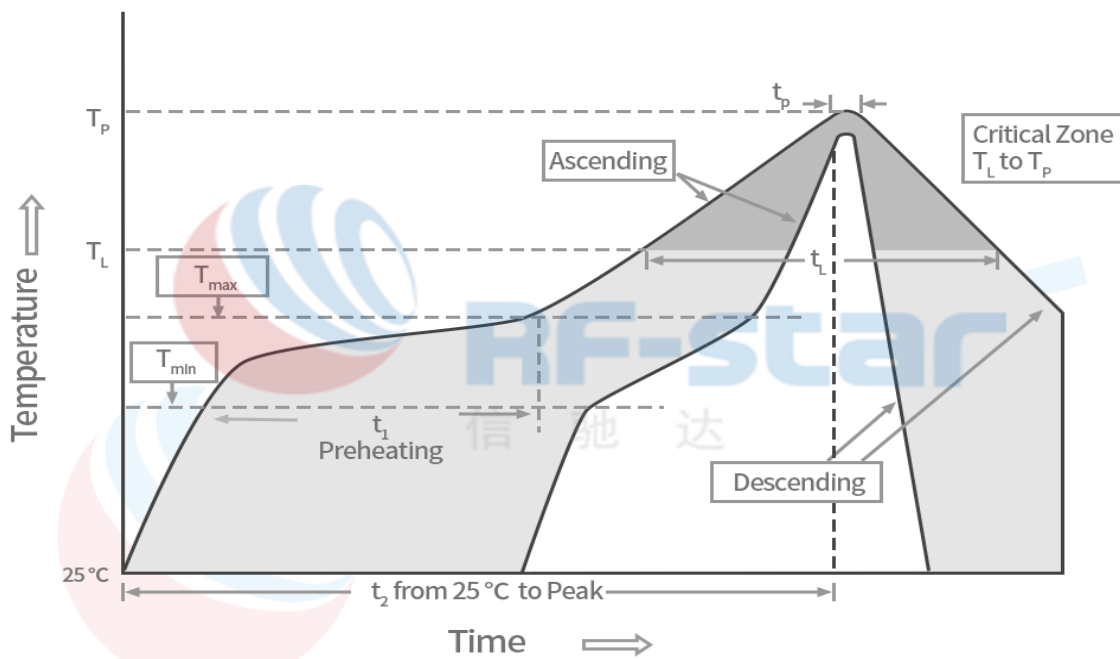


Figure 9. Recommended Reflow for Lead-Free Solder

### 5 Optional Package Specification

The default package method is **by tray**. If you need the modules to be shipped by tape & reel, pls contact us in advance.

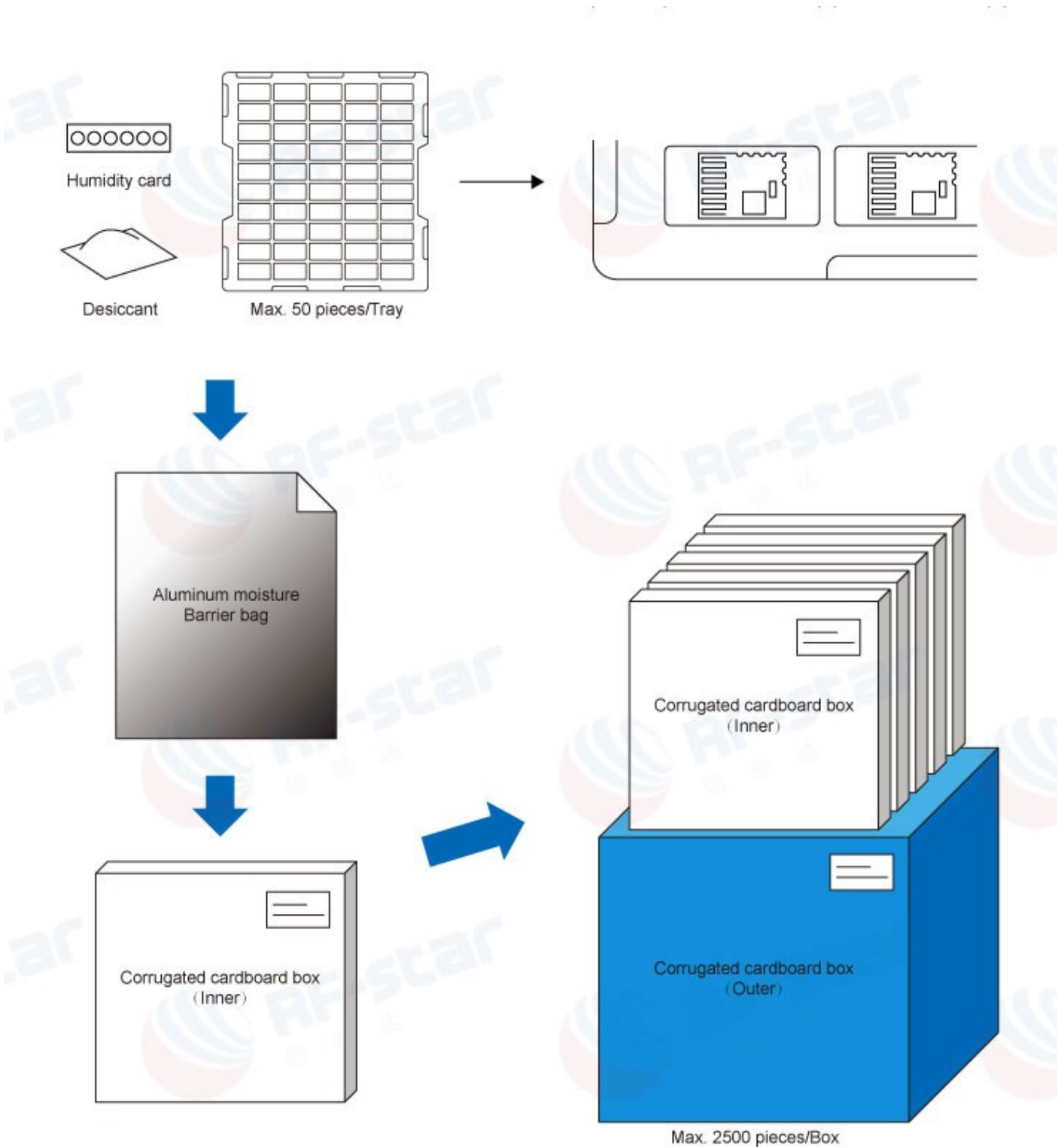


Figure 10. Default Package by Tray

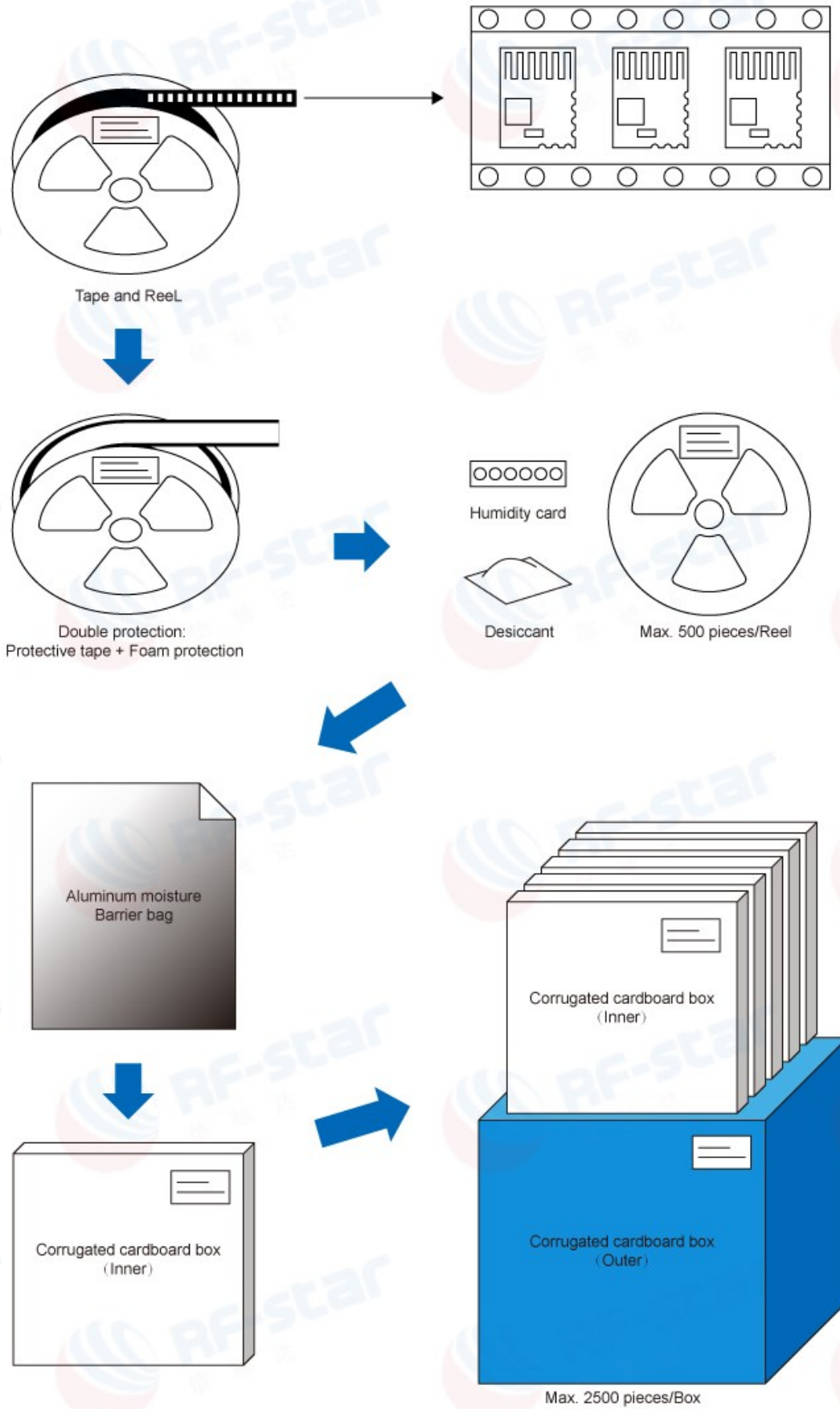


Figure 11. Package by Tape & Reel



## 6 Revision History

Date	Version No.	Description
2023.03.21	V1.0	The initial version is released.
2023.05.25	V1.0	Update MSL level. Update the Shenzhen office address.

Note:

1. The document will be optimized and updated from time to time. Before using this document, please make sure it is the latest version.
2. To obtain the latest document, please download it from the official website: [www.rfstariot.com](http://www.rfstariot.com) and [www.szrfstar.com](http://www.szrfstar.com).



## 7 Contact Us

### SHENZHEN RF-STAR TECHNOLOGY CO., LTD.

#### Shenzhen HQ:

Add.: Room A503, Podium Building No. 12, Shenzhen Bay Science and Technology Ecological Park, Nanshan District, Shenzhen, Guangdong, China, 518063  
Tel.: 86-755-8632 9829

#### Chengdu Branch:

Add.: N2-1604, Global Center, North No. 1700, Tianfu Avenue, Hi-Tech District, Chengdu, Sichuan, China, 610095  
Tel.: 86-28-8692 5399

Email: [sunny@szrfstar.com](mailto:sunny@szrfstar.com), [sales@szrfstar.com](mailto:sales@szrfstar.com)

Web.: [www.rfstariot.com](http://www.rfstariot.com), [www.szrfstar.com](http://www.szrfstar.com)

