



**RF-BM-2340A2 And RF-BM-2340A2I CC2340R5**  
**BLE 5.3 or ZigBee 3.0 Wireless Module Hardware**  
**Specification**  
**Version 1.1**

Shenzhen RF-star Technology Co., Ltd.

Jun. 6<sup>th</sup>, 2024

*All rights reserved. Those responsible for unauthorized reproduction will be prosecuted.*

## 1 Device Overview

### 1.1 Description

RF-BM-2340A2 and RF-BM-2340A2I are RF modules based on TI lower-power CC2340R5 SoC. They are multiprotocol 2.4 GHz wireless modules supporting Thread, ZigBee®, Bluetooth® 5.3 Low Energy, IEEE 802.15.4, and proprietary 2.4 GHz. The modules integrate a 48 MHz crystal, 512 kB of in-system Programmable Flash, 12 kB ROM for bootloader, and 64 kB of ultra-low leakage SRAM. The ARM® Cortex®-M0+ core application processor can operate at an extremely low current at flexible power modes. And the modules enable long-range and low-power applications using 8 dBm high-power with best-in-class transmit current consumption at 12 mA. They feature a small size, robust connection distance, and rigid reliability. The 1.27-mm half-hole pitch stamp stick makes the module more convenient for application and development. RF-BM-2340A2 has a high-performance PCB antenna, while RF-BM-2340A2I has an IPEX connector or a half-hole RF out interface option for the different needs of external antennas. The UART serial port protocol can also enable you to start your development with a quick path.

### 1.2 Key Features

- RF Features
  - Bluetooth® 5.3 Low Energy
  - ZigBee®
  - Thread
  - Proprietary
- TX power: up to +8 dBm with temperature compensation
- Excellent receiver sensitivity
  - -102 dBm for Bluetooth 125 kbps (LE coded PHY)
  - -99 dBm for Bluetooth 500 kbps (LE coded PHY)
  - -96.5 dBm for Bluetooth 1 Mbps
  - -92 dBm for Bluetooth 2 Mbps
- Wide Operation Range
  - Power supply:
    - ✧ GLDO mode: 1.71 V ~ 3.8 V, recommend to 3.3 V
    - ✧ DCDC mode: 2.2 V ~ 3.8 V, recommend to 3.3 V
  - Operating temperature: -40 °C to +85 °C
  - Storage temperature: -40 °C to +125 °C
  - Frequency range: 2360 MHz ~ 2510 MHz
- Microcontroller
  - Powerful 48 MHz ARM® Cortex®-M0+ processor
  - Integrated Balun
  - Support OTA upgrade
- Memory
  - 512 kB of in-system programmable flash
  - 12 kB of ROM for bootloader and drivers
  - 64 kB of ultra-low leakage SRAM. Retained in standby mode
- Rich Peripherals
  - 12 IO Pads
    - ✧ 2 IO pads SWD, muxed with GPIOs
    - ✧ Up to 10 DIOs (analog or digital IOs)
  - 3 × 16-bit or 1 × 24-bit general-purpose timers, Quadrature decode mode support
  - 12-bit ADC, 1.2 Msps with external reference, 267 kbps with internal reference, up to 12 external ADC inputs
  - 1 × low power comparator
  - 1 × UART
  - 1 × SPI
  - 1 × I<sup>2</sup>C
  - Real-time clock (RTC)

- Integrated temperature and battery monitor
- Watchdog timer
- Security Enablers
  - AES 128-bit Crypto accelerator
  - Random number generator from on-chip analog noise

- Dimension:
  - RF-BM-2340A2: 16.58 mm × 11.19 mm × 2.25 mm
  - RF-BM-2340A2I: 15.20 mm × 11.19 mm × 2.25 mm

### 1.3 Applications

- Home healthcare
- Blood glucose monitors
- Blood pressure monitor
- CPAP machine
- Electronic thermometer
- Patient monitoring & diagnostics
- Medical sensor patches
- Personal care & Fitness
- Electric toothbrush
- Wearable fitness & activity monitor
- Building automation
- Building security systems
- Motion detector
- Electronic smart lock
- Door and window sensor
- Garage door system
- Gateway
- HVAC
- Thermostat
- Wireless environmental sensor
- Fire safety system
- Smoke and heat detector
- Video surveillance
- IP network camera
- Lighting
- LED luminaire
- Lighting Control
- Daylight sensor, lighting sensor
- Wireless control
- Factory automation and control
- Retail automation & payment
- Electronic point of sale
- Communication equipment
- Wired networking
- Personal electronics
- Connected peripherals
- Consumer wireless module
- Pointing devices
- Keyboards and keypads
- Gaming
- Electronic and robotic toys
- Wearables (non-medical)
- Smart trackers
- Smart clothing

### 1.4 Functional Block Diagram

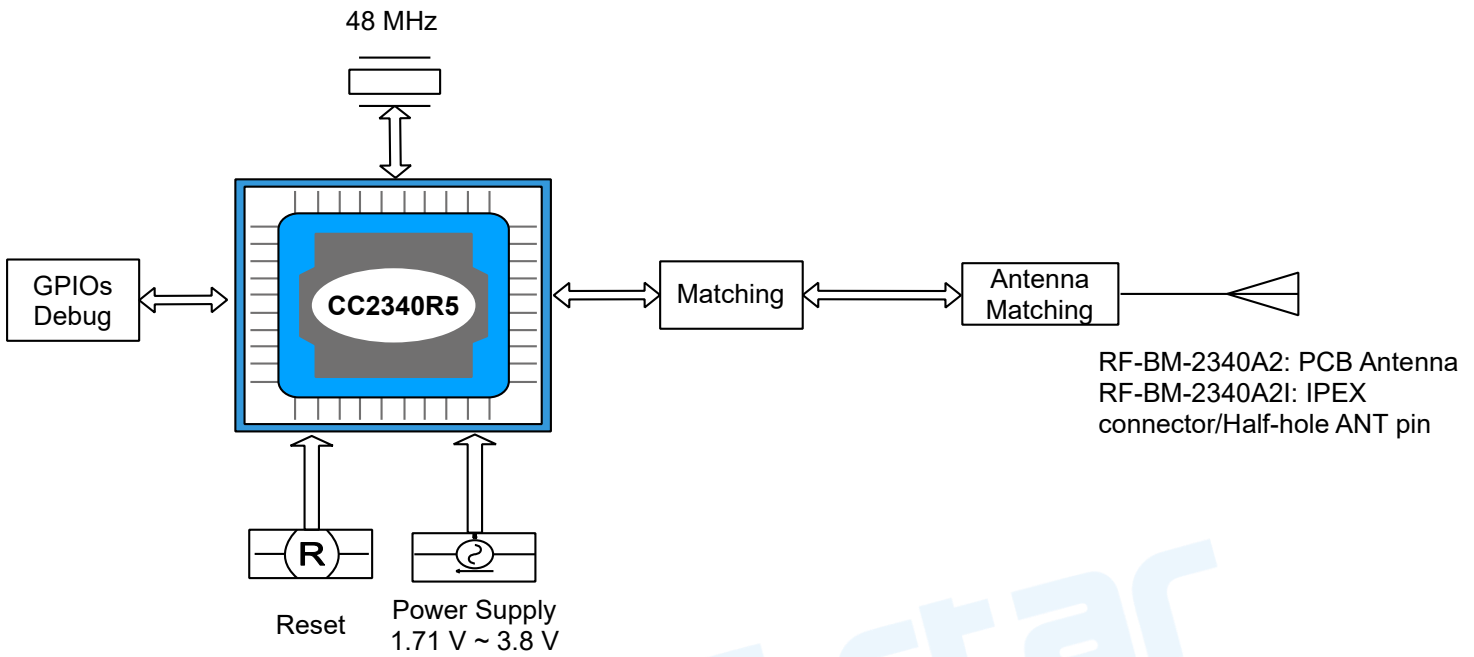


Figure 1. Functional Block Diagram of RF-BM-2340A2(I)

### 1.6 Part Number Conventions

The part numbers are of the form of RF-BM-2340A2(I) where the fields are defined as follows:

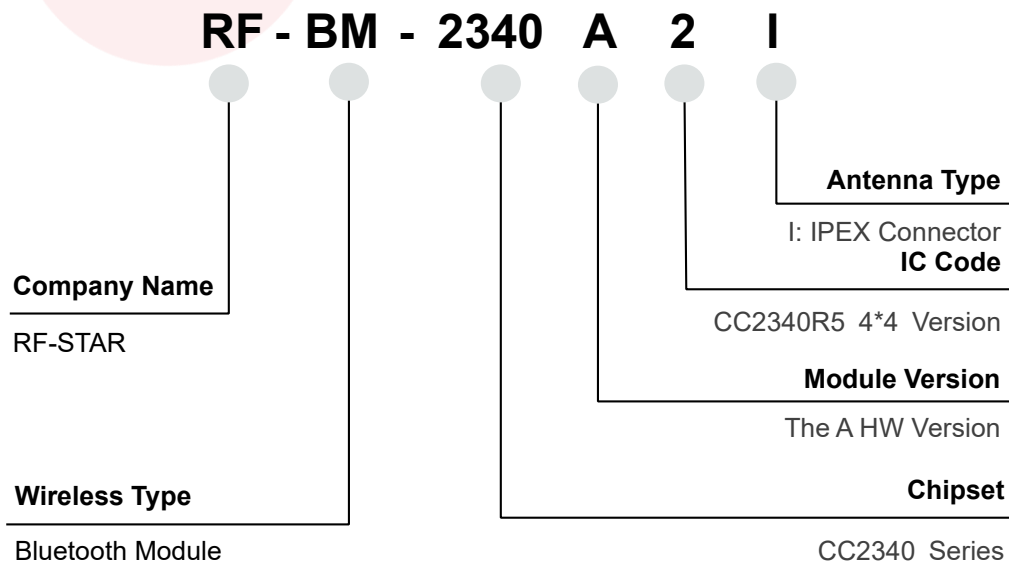


Figure 2. Part Number Conventions of RF-BM-2340A2(I)

## Table of Contents

1 Device Overview .....	2
1.1 Description.....	2
1.2 Key Features .....	2
1.3 Applications.....	3
1.4 Functional Block Diagram .....	4
1.6 Part Number Conventions .....	4
Table of Contents.....	5
2 Module Configuration and Functions .....	7
2.1 Module Parameters.....	7
2.2 Module Pin Diagram .....	8
2.3 Pin Functions.....	8
2.4 Pin Peripheral Singal Descriptions.....	10
3 Specifications .....	12
3.1 Recommended Operating Conditions .....	12
3.2 Handling Ratings.....	12
4 Internal 32.768 kHz Crystal Setting .....	13
5 Setting of Frequency Offset Register.....	14
6 Application, Implementation, and Layout.....	15
6.1 Module Photos .....	15
6.2 Recommended PCB Footprint.....	15
6.3 Schematic Diagram.....	16
6.4 Reference Design .....	17
6.5 Antenna.....	18
6.5.1 Antenna Design Recommendation .....	18
6.5.2 Antenna Output Mode Modification.....	19
6.5.3 External Antenna Design Recommendation of the Half-Hole ANT Pin.....	19
6.5.4 IPEX Connector Specification .....	21
6.6 Basic Operation of Hardware Design .....	21
6.7 Trouble Shooting .....	22
6.7.1 Unsatisfactory Transmission Distance.....	22
6.7.2 Vulnerable Module.....	23
6.7.3 High Bit Error Rate .....	23

6.8 Electrostatics Discharge Warnings .....	23
6.9 Soldering and Reflow Condition.....	23
7 Optional Package Specification .....	25
8 Revision History .....	27
9 Contact Us.....	28



## 2 Module Configuration and Functions

### 2.1 Module Parameters

Table 1. Parameters of RF-BM-2340A2(I)

Chipset	CC2340R5
Supply Power Voltage	DCDC mode: 2.2 V ~ 3.8 V, 3.3 V is recommended GLDO mode: 1.71 V ~ 3.8 V, 3.3 V is recommended Remark: When set to DCDC mode, if the supply voltage is lower than 2.2 V, it will automatically switch to GLDO mode.
Frequency	2360 MHz ~ 2510 MHz
Maximum Transmit Power	+8.0 dBm
Receiving Sensitivity	-102 dBm @ Bluetooth 125 kbps (LE Coded PHY) -99 dBm @ Bluetooth 500 kbps (LE Coded PHY) -96.5 dBm @ Bluetooth 1 Mbps -92 dBm @ Bluetooth 2 Mbps
GPIO	12
Flash	512 kB
ROM	12 kB for bootloader and drivers
SRAM	64 kB
Power Consumption	RX current: 5.3 mA TX current: 5.1 mA @ 0 dBm < 11.0 mA @ 8 dBm MCU (CoreMark): 2.6 mA @ active mode Standby: < 710 nA @RTC, 36 kB RAM Shutdown: 150 nA @ wake-up on pin
Support Protocol	Bluetooth 5.3 Low Energy, ZigBee, Proprietary, SimpleLink TI 15.4-stack
Crystal	48 MHz
Package	SMT packaging (1.27-mm half-hole pitch stamp stick)
Dimension	RF-BM-2340A2: 16.58 mm × 11.19 mm × 2.25 mm RF-BM-2340A2I: 15.20 mm × 11.19 mm × 2.25 mm
Type of Antenna	RF-BM-2340A2: PCB antenna RF-BM-2340A2I: IPEX connector or half-hole ANT pin
Operating Temperature	-40 °C ~ +85 °C
Storage Temperature	-40 °C ~ +125 °C

## 2.2 Module Pin Diagram

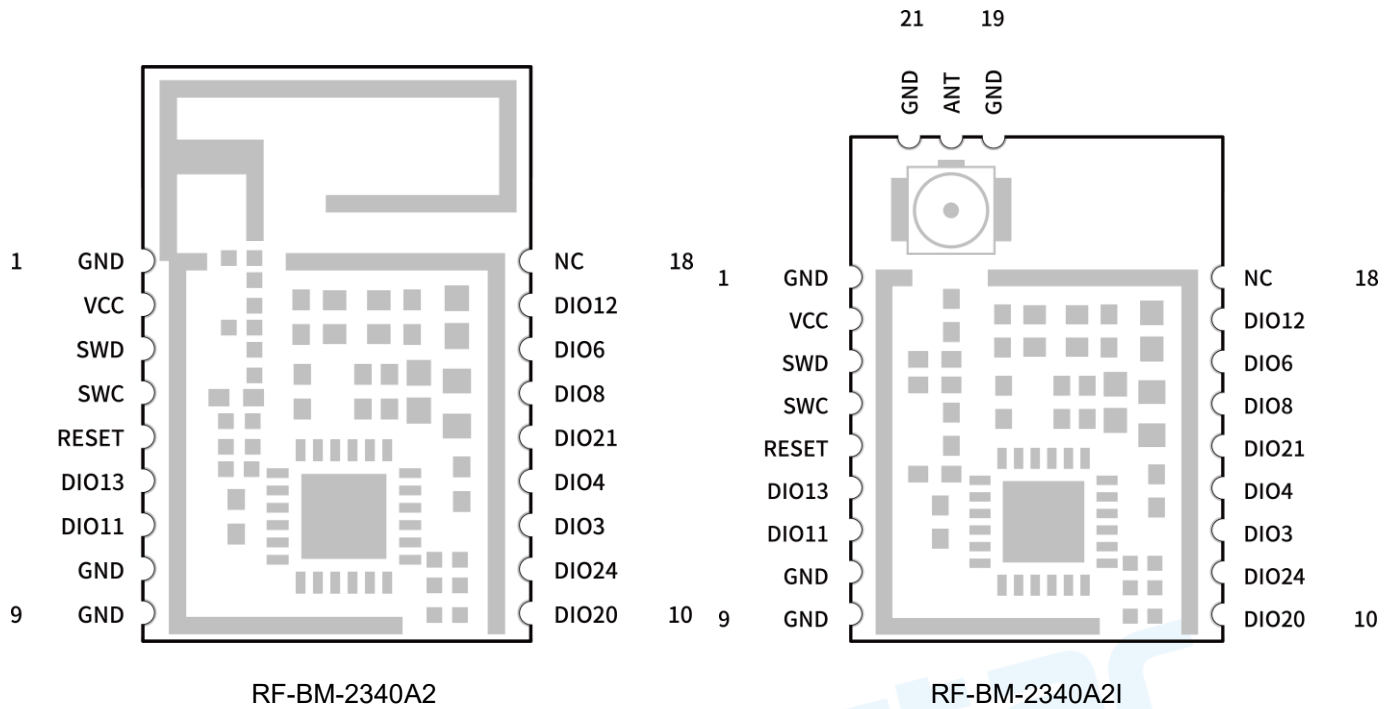


Figure 3. Pin Diagram of RF-BM-2340A2(I)

## 2.3 Pin Functions

Table 2. Pin Functions of RF-BM-2340A2(I)

Pin	Name	Chip Pin	Function	Description
1	GND	GND	Ground	Ground
2	VCC	VCCS	VCC	Power supply: 1.71 V ~ 3.8 V, recommended to 3.3 V
3	SWDIO <sup>1</sup>	DIO16_SWDIO	Digital	GPIO, SWD interface: mode select or SWDIO (JTAG_TMSC), high-drive capability, <b>No floating</b>
4	SWDCK <sup>1</sup>	DIO17_SWDCK	Digital	GPIO, SWD interface: clock(JTAG_TCKC), high-drive capability, <b>No floating</b>
5	RESET	RSTN	Digital	Reset, active low. Internal pullup.
6	DIO13	DIO13	Digital	GPIO
7	DIO11	DIO11	Digital	GPIO
8	GND	GND	Ground	Ground
9	GND	GND	Ground	Ground
10	DIO20	DIO20_A11	Digital or Analog	GPIO, analog capability
11	DIO24	DIO24_A7	Digital or Analog	GPIO, analog capability, high-drive capability
12	DIO3	DIO3_X32P	Digital or Analog	GPIO, 32-kHz crystal oscillator pin 1



13	DIO4	DIO4_X32N	Digital or Analog	GPIO, 32-kHz crystal oscillator pin 2
14	DIO21	DIO21_A10	Digital or Analog	GPIO, analog capability
15	DIO8	DIO8	Digital	GPIO
16	DIO6	DIO6_A1	Digital or Analog	GPIO, analog capability
17	DIO12	DIO12	Digital	GPIO, high-drive capability
18	NC	NC	-	None connect
19	GND	GND	Ground	Ground, <a href="#">for RF-BM-2340A2I only</a>
20	ANT	ANT	RF	External ANT output pin, <a href="#">for RF-BM-2340A2I only</a>
21	GND	GND	Ground	Ground, <a href="#">for RF-BM-2340A2I only</a>

Remark 1: **Floating is prohibited.** SWDIO and SWDCK need to be internally or externally pulled up/down (our module does not have external pull-up/down resistors). Otherwise, leakage current may be caused, resulting in excessive power consumption.



## 2.4 Pin Peripheral Singal Descriptions

Table 3. Pin Peripheral Singal Description of RF-BM-2340A2(I)

Function	Singal Name	Module Pin	Chip Pin	Signal Direction	Description
UART	UART0TXD	DIO13	DIO13	O	UART0 TX data
		DIO17	DIO17_SWDCK		
		DIO20	DIO20_A11		
		DIO4	DIO4_X32N		
		DIO6	DIO6_A1		
	UART0RXD	DIO12	DIO12	I	UART0 RX data
		DIO16	DIO16_SWDIO		
		DIO20	DIO20_A11		
	UART0CTS	DIO21	DIO21_A10	I	UART0 clear-to-send input (active low)
UART0RTS	DIO8	DIO8	O	UART0 request-to-send (active low)	
ADC	ADC11	DIO20	DIO20_A11	I	HP ADC channel 11 input
	ADC10/LPC+	DIO21	DIO21_A10		HP ADC channel 10 input
	ADC7/LPC+/LPC-	DIO24	DIO24_A7		HP ADC channel 7 input
	ADC1	DIO6	DIO6_A1		ADC channel 6 input
ADC Reference	ADC1/AREF+	DIO6	DIO6_A1	I	HP ADC channel 1 input. ADC external voltage reference, positive terminal
GPIO	GPIO8	DIO8	DIO8	I/O	General-purpose input or output
	GPIO11	DIO11	DIO11		
	GPIO12	DIO12	DIO12		
	GPIO13	DIO13	DIO13		
	GPIO16	DIO16	DIO16_SWDIO		
	GPIO17	DIO17	DIO17_SWDCK		
	GPIO20	DIO20	DIO20_A11		
	GPIO21	DIO21	DIO21_A10		
	GPIO24	DIO24	DIO24_A7		
	GPIO3	DIO3	DIO3_X32P		
	GPIO4	DIO4	DIO4_X32N		
	GPIO6	DIO6	DIO6_A1		

Table 4. Pin Peripheral Singal Description of RF-BM-2340A2(I) (Continued 1)

Function	Singal Name	Module Pin	Chip Pin	Signal Direction	Description	
SPI	SPI0SCLK	DIO8	DIO8	I/O	SPI clock	
		DIO17	DIO17_SWDCCK			
		DIO24	DIO24_A7			
	SPI0POCI		DIO11	DIO11	I/O	SPI POCI (MISO)
			DIO12	DIO12		
			DIO13	DIO13		
			DIO20	DIO20_A11		
			DIO21	DIO21_A10		
	SPI0CSN		DIO11	DIO11	I/O	SPI chip select
			DIO6	DIO6_A1		
	SPI0PICO		DIO12	DIO12	I/O	SPI PICO (MOSI)
			DIO13	DIO13		
DIO16			DIO16_SWDIO			
DIO4			DIO4_X32N			
I <sup>2</sup> C	I2C0SCL	DIO17	DIO17_SWDCCK	I/O	I2C clock data	
		DIO24	DIO24_A7			
		DIO6	DIO6_A1			
	I2C0SDA		DIO8	DIO8	I/O	I2C data
			DIO12	DIO12		
			DIO16	DIO16_SWDIO		

### 3 Specifications

#### 3.1 Recommended Operating Conditions

The functional operation does not guarantee performance beyond the limits of the conditional parameter values in the table below. Long-term work beyond this limit will affect the reliability of the module more or less.

Table 5. Recommended Operating Conditions of RF-BM-2340A2(I)

Items	Condition	Min.	Typ.	Max.	Unit
Operating Supply Voltage	/	1.71	3.3	3.8	V
Operating Temperature	/	-40	+25	+85	°C

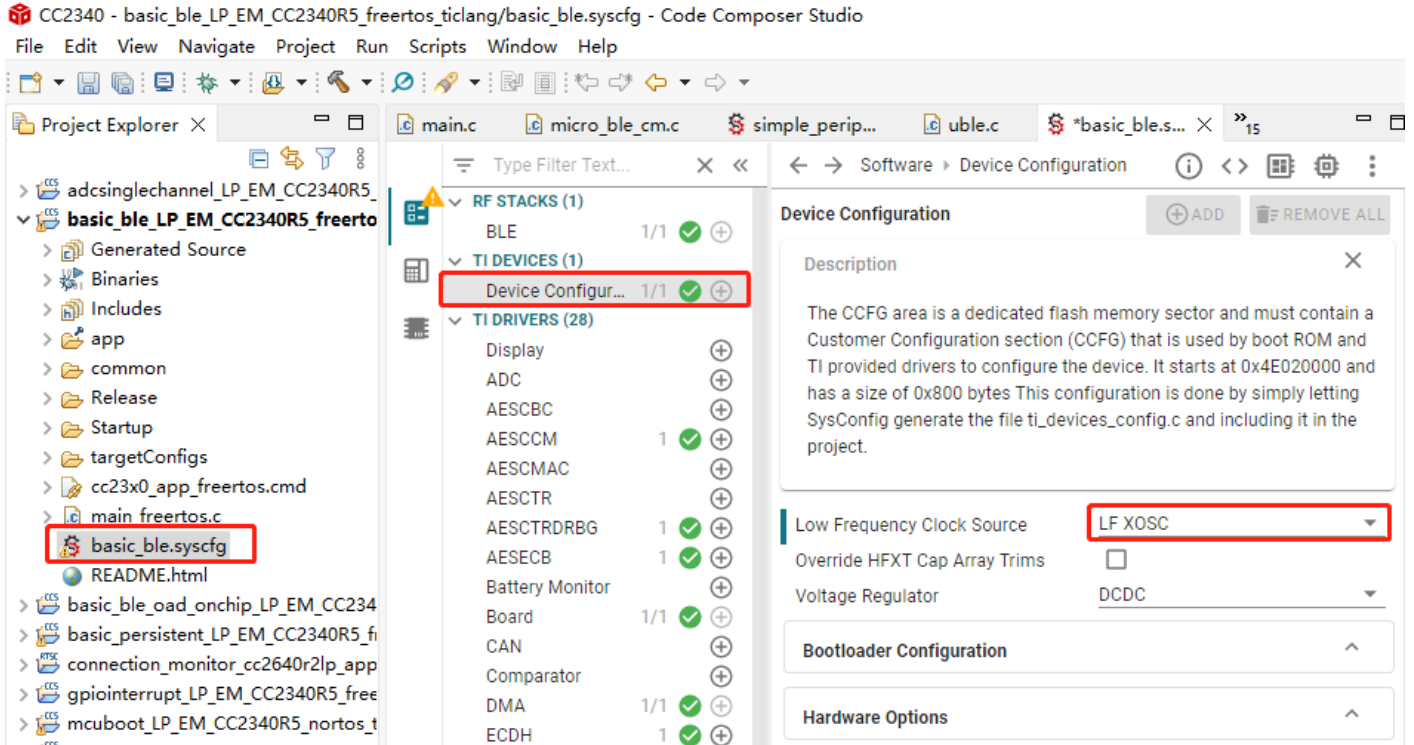
#### 3.2 Handling Ratings

Table 6. Handling Ratings of RF-BM-2340A2(I)

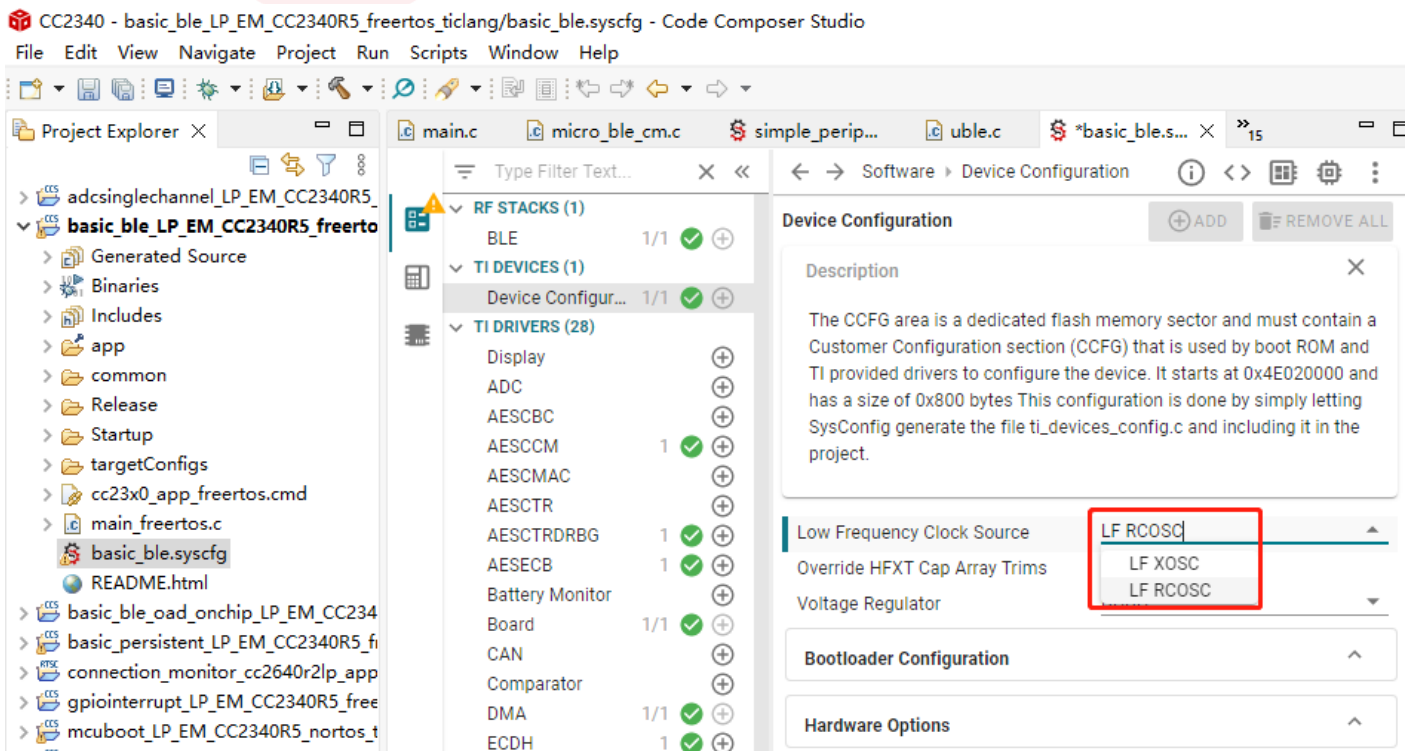
Items	Condition	Min.	Typ.	Max.	Unit
Storage Temperature	Tstg	-40	+25	+125	°C
Human Body Model	HBM		±1000		V
Moisture Sensitivity Level			3		
Charged Device Model			±500		V

## 4 Internal 32.768 kHz Crystal Setting

The module hardware is without an external 32.768 kHz crystal by default. However, the SDK adopts the external 32.768 kHz crystal by default, pls see the details below:

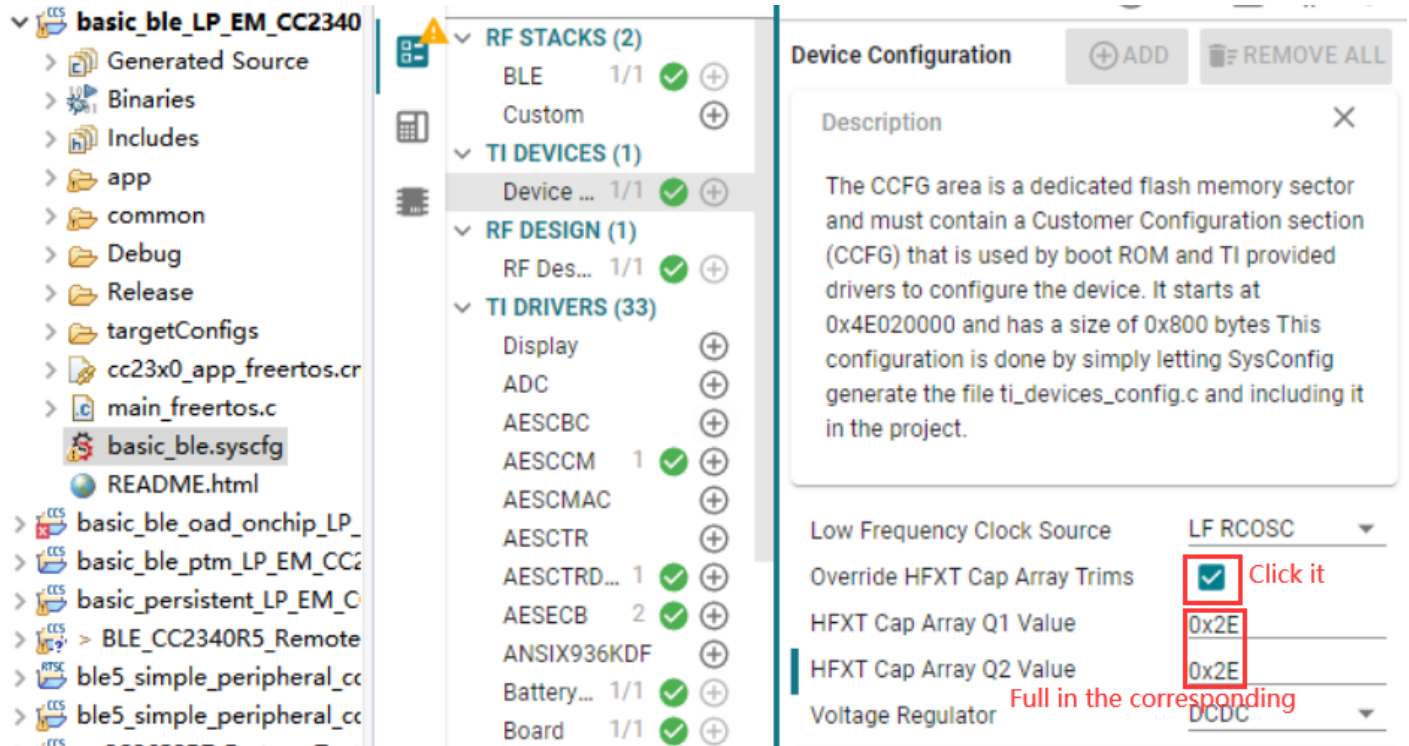


Therefore, in order no problem during debugging, pls modify the default crystal setting to the internal crystal LFRCOS as follows:



## 5 Setting of Frequency Offset Register

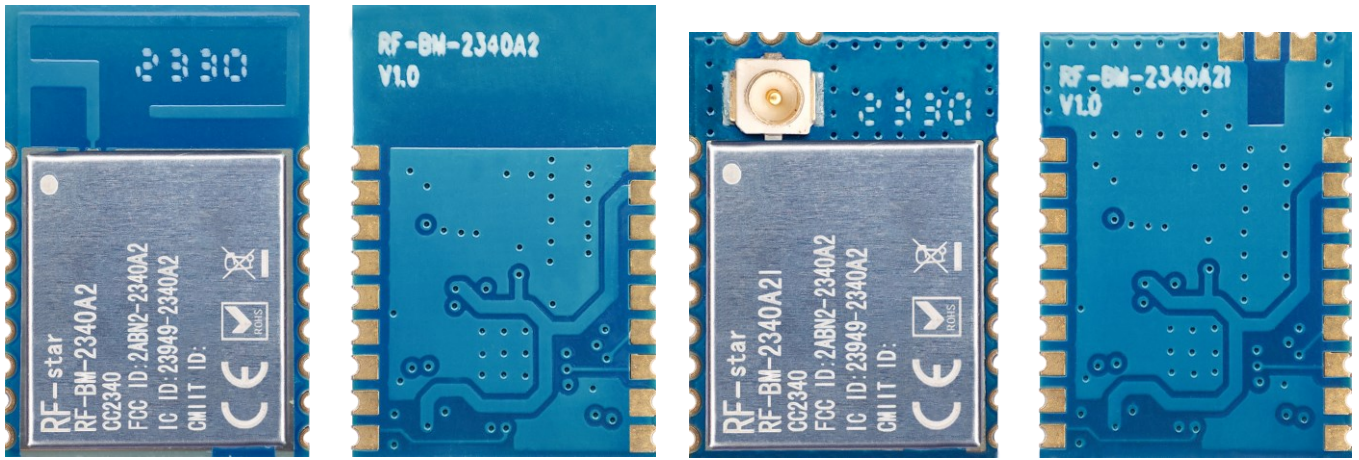
The SDK setting of the frequency offset register can be regarded as the auxiliary setting for modifying the frequency offset for the RF-BM-2340A2(I) hardware RF part. The configuration method is shown in the figure below. The values in the red box need to be modified to **0x2E** respectively:



The screenshot displays the TI Studio IDE interface for configuring the device. On the left, the project tree shows the file structure, with `basic_ble.syscfg` selected. The middle pane lists the components under 'TI DRIVERS', including 'Display', 'ADC', 'AESCBC', 'AESCCM', 'AESCMAC', 'AESCTR', 'AESCTR...', 'AESECB', 'ANSIX936KDF', 'Battery...', and 'Board'. The right pane shows the 'Device Configuration' window, which includes a description of the CCFG area and a list of configuration options. The 'Override HFXT Cap Array Trims' checkbox is checked, and the 'HFXT Cap Array Q1 Value' and 'HFXT Cap Array Q2 Value' fields are both set to '0x2E'. A red box highlights these values, and a red arrow points to the 'Click it' label next to the checked checkbox. A red note below the fields says 'Full in the corresponding'.

## 6 Application, Implementation, and Layout

### 6.1 Module Photos

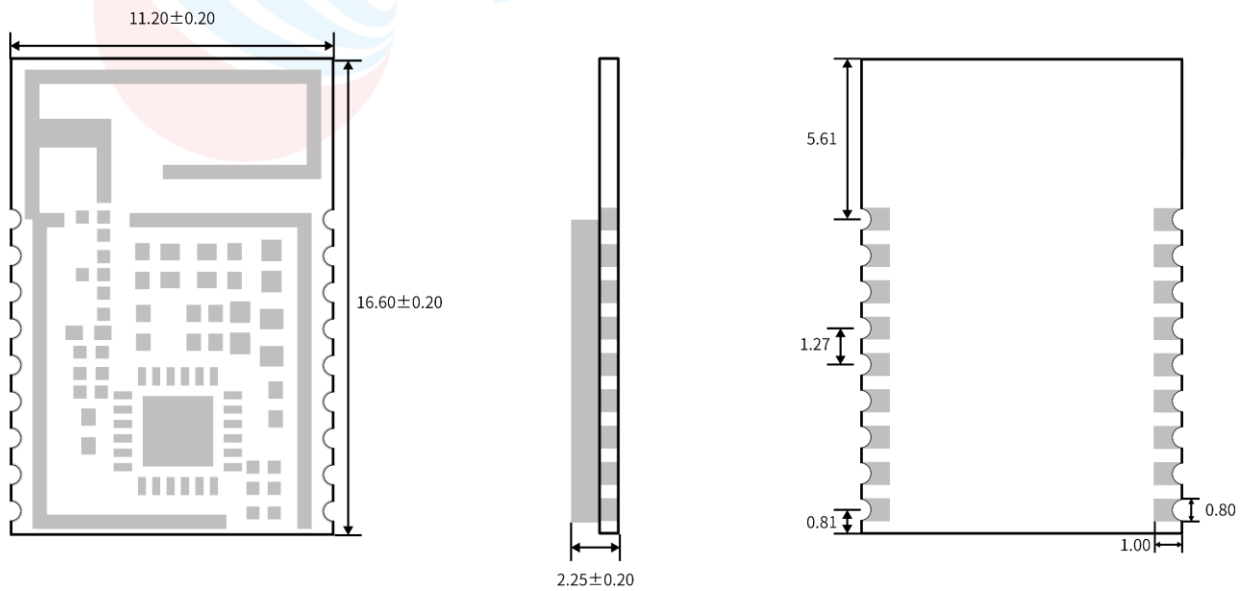


RF-BM-2340A2

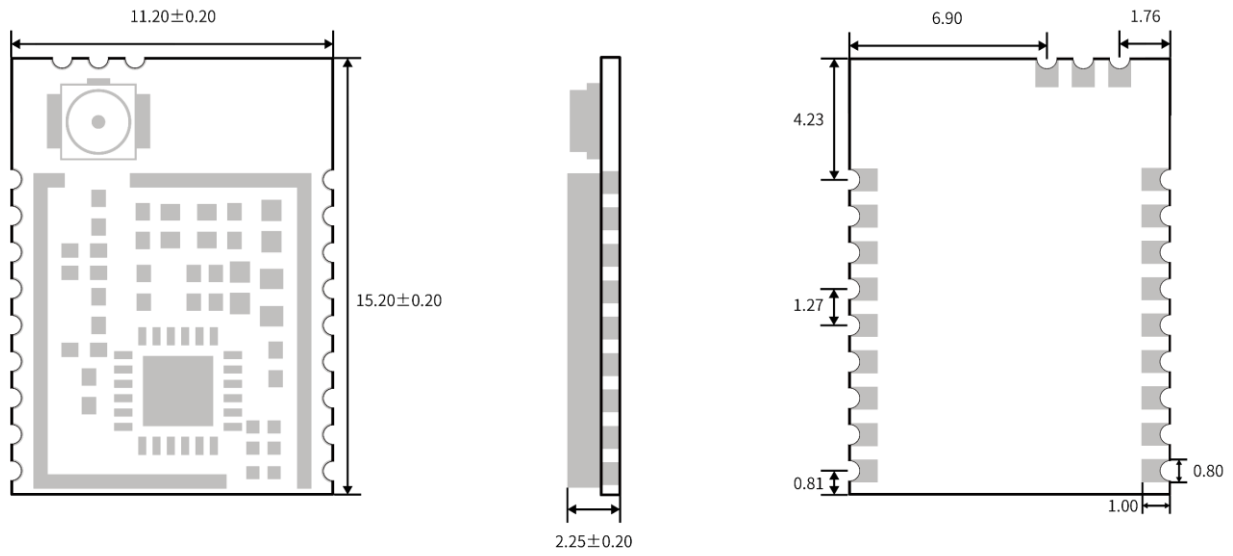
RF-BM-2340A2I

Figure 3. Photos of RF-BM-2340A2(I)

### 6.2 Recommended PCB Footprint



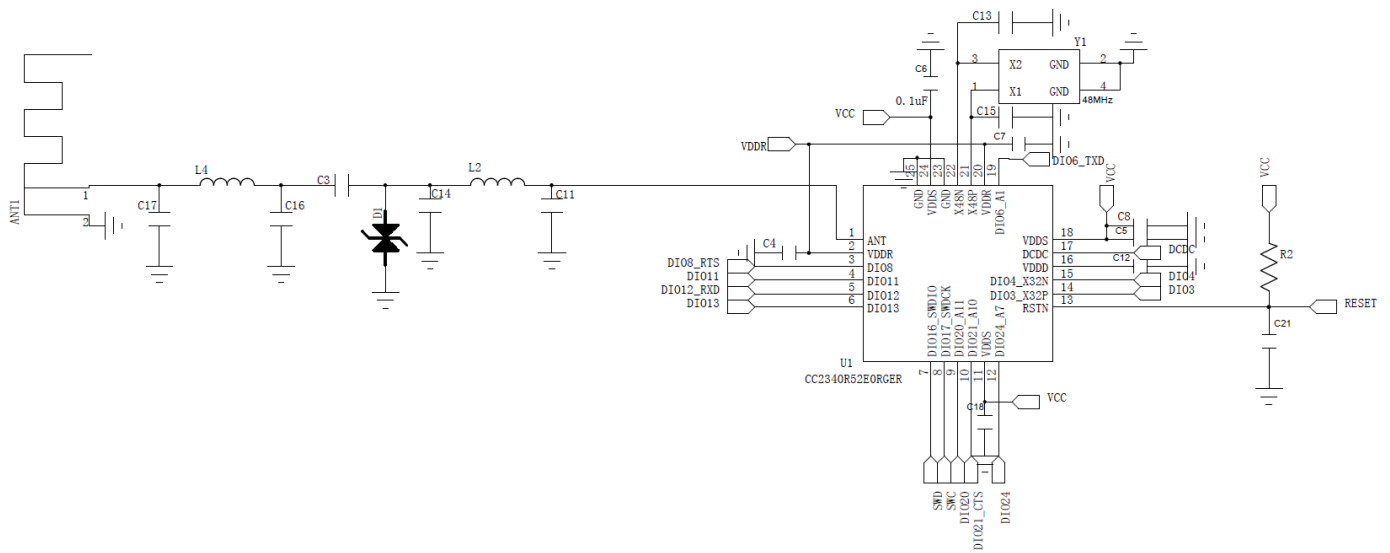
RF-BM-2340A2



RF-BM-2340A2I

Figure 4. Recommended PCB Footprint of RF-BM-2340A2(I)

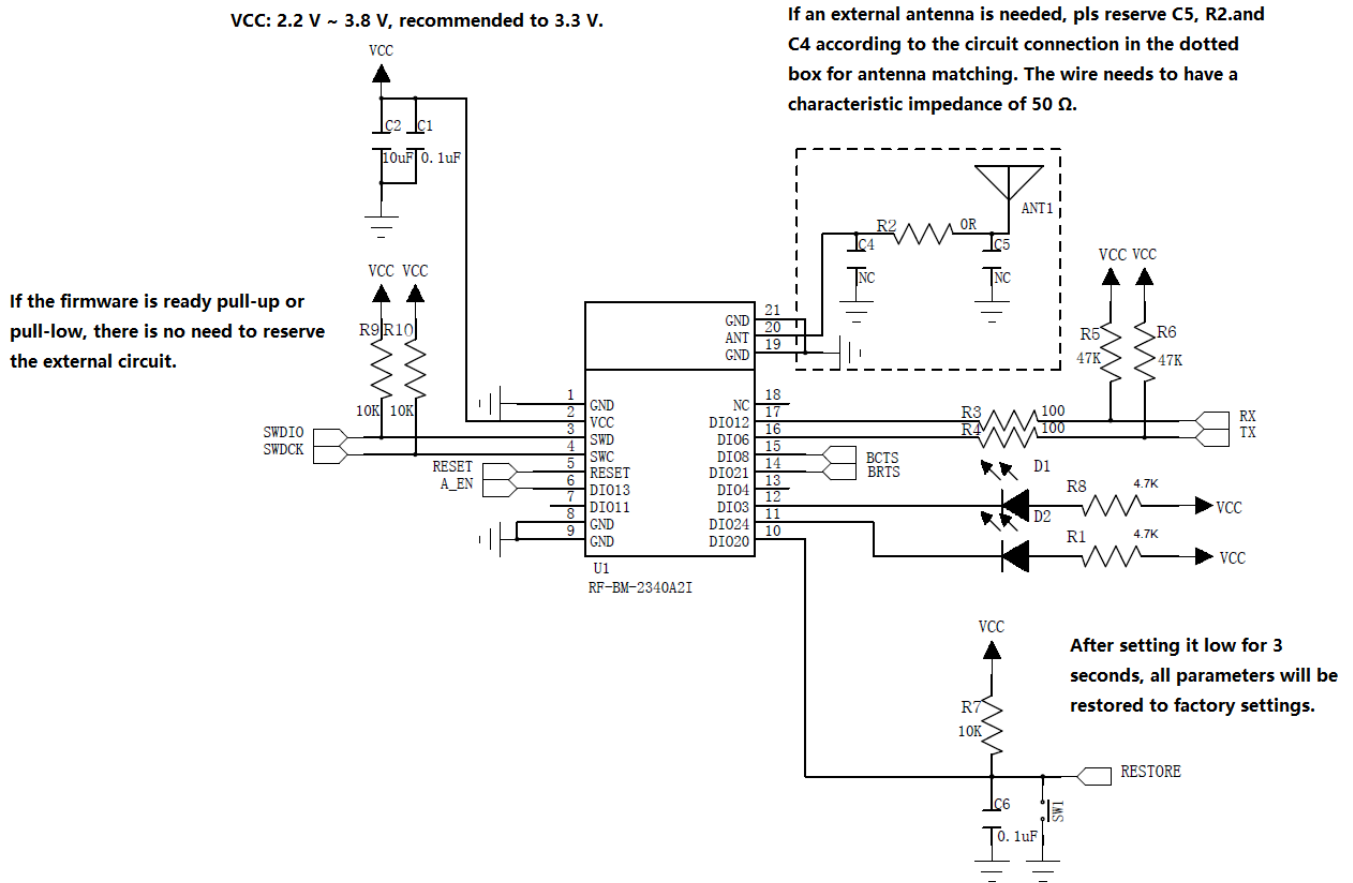
### 6.3 Schematic Diagram



RF-BM-2340A2







RF-BM-2340A2I

Figure 5. Reference Design of RF-BM-2340A2(I)

## 6.5 Antenna

### 6.5.1 Antenna Design Recommendation

1. The antenna installation structure has a great influence on the module performance. It is necessary to ensure the antenna is exposed and preferably vertically upward. When the module is installed inside of the case, a high-quality antenna extension wire can be used to extend the antenna to the outside of the case.
2. The antenna must not be installed inside the metal case, which will cause the transmission distance to be greatly weakened.
3. The recommendation of antenna layout.

The inverted-F antenna position on PCB is free-space electromagnetic radiation. The location and layout of the antenna are key factors to increase the data rate and transmission range.

Therefore, the layout of the module antenna location and routing is recommended as follows:

- (1) Place the antenna on the edge (corner) of the PCB.

- (2) Make sure that there is no signal line or copper foil in each layer below the antenna.
- (3) It is best to hollow out the antenna position in the following figure to ensure that the S11 of the module is minimally affected.

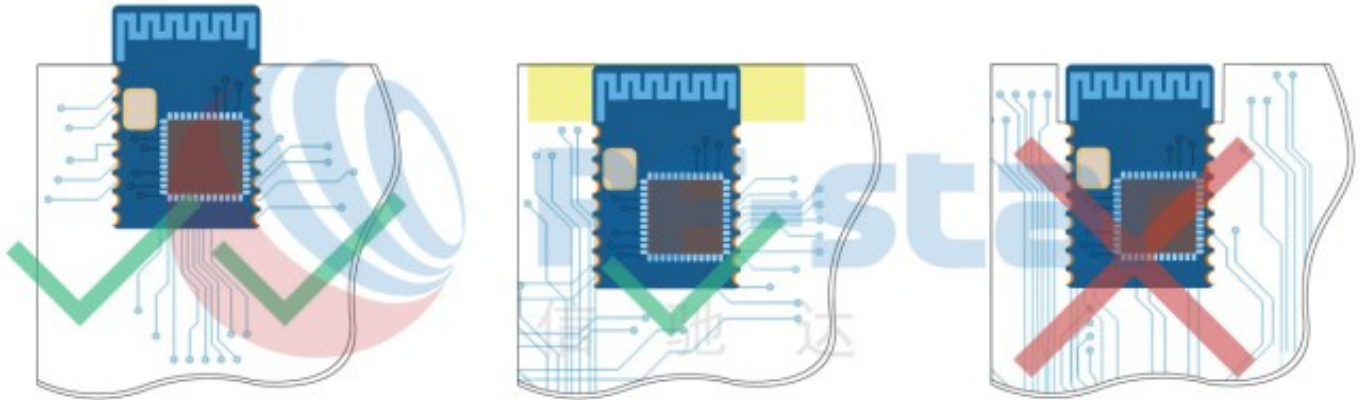


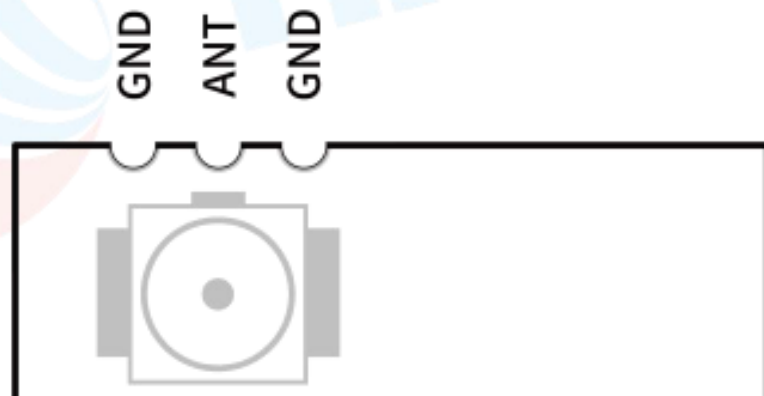
Figure 4. Recommendation of Antenna Layout

Note: The hollow-out position is based on the antenna used.

### 6.5.2 Antenna Output Mode Modification

RF-BM-2340A2I has two antenna output modes. One is an IPEX connector and the other is a stamp half-hole output (ANT pin, see pin function table for details).

The default delivery is the **IPEX connector**. If you want to use the external antenna by the ANT pin, just connect the external antenna to the ANT pin.



### 6.5.3 External Antenna Design Recommendation of the Half-Hole ANT Pin

1. A  $\Pi$ -type matching circuit is reserved for the antenna, and  $50\ \Omega$  impedance control is performed on the RF traces. The traces are as short as possible, and  $135^\circ$  or arc traces are used as much as possible. No vias are used to change layers. More GND vias are placed around the RF traces.

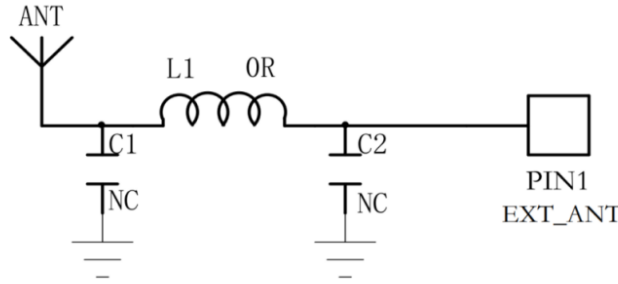


Figure 5. Reference Design of the External Antenna

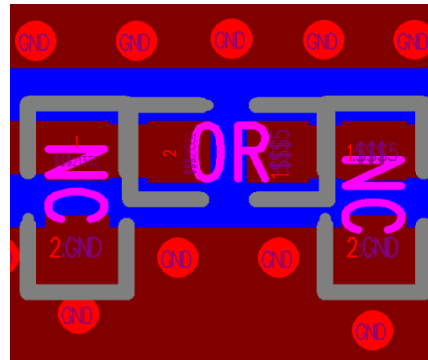


Figure 6. Reference Design of the External Antenna Traces

2. The RF trace width and copper-clad spacing can be calculated by SI9000 software, and the impedance is controlled to 50 Ω according to the actual board thickness, number of layers, plate, dielectric thickness, dielectric constant, copper thickness, line width, line spacing, and solder mask thickness.

Example: FR4 is a double-layer board with a thickness of 1.0 mm. Through calculation, the width of the trace is 0.8254 mm, and the spacing between traces and copper is 0.22 mm.

		Parameter Entry Units					
		Mils	Inches	Microns	Millimetres		
Substrate 1 Height	H1	0.8800	+/-	0.0000	0.8800	0.8800	Calculate
Substrate 1 Dielectric	Er1	4.4000	+/-	0.0000	4.4000	4.4000	Calculate
Lower Trace Width	W1	0.8254	+/-	0.0000	0.8254	0.8254	
Upper Trace Width	W2	0.8000	+/-	0.0000	0.8000	0.8000	Calculate
Ground Strip Separation	D1	0.2200	+/-	0.0000	0.2200	0.2200	Calculate
Trace Thickness	T1	0.0350	+/-	0.0000	0.0350	0.0350	Calculate
Coating Above Substrate	C1	0.0254	+/-	0.0000	0.0254	0.0254	
Coating Above Trace	C2	0.0254	+/-	0.0000	0.0254	0.0254	
Coating Dielectric	CEr	4.2000	+/-	0.0000	4.2000	4.2000	
Impedance	Zo	50.10			50.10	50.10	Calculate

Notes: Add your comments here

Interface Style:  Standard  Extended

G.S. Convergence:  Fine (Slower)  Coarse (Faster)

Figure 7. SI9000 Impedance Calculation Diagram

### 6.5.4 IPEX Connector Specification

RF-BM-2340A2I module is integrated with the IPEX version 1 antenna seat, the specification of the antenna seat is as follows:

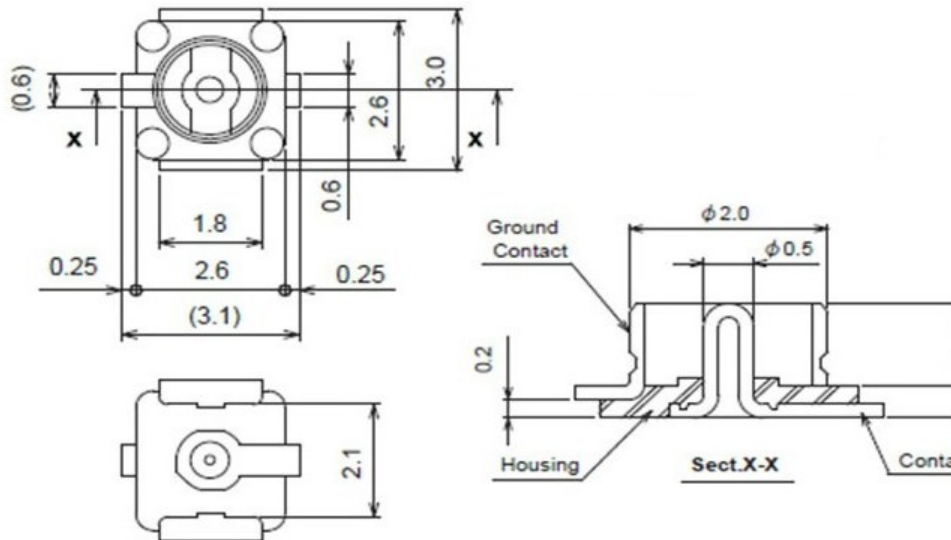


Figure 8. Specification of Antenna Seat

The specification of the IPEX wire end is as follows:

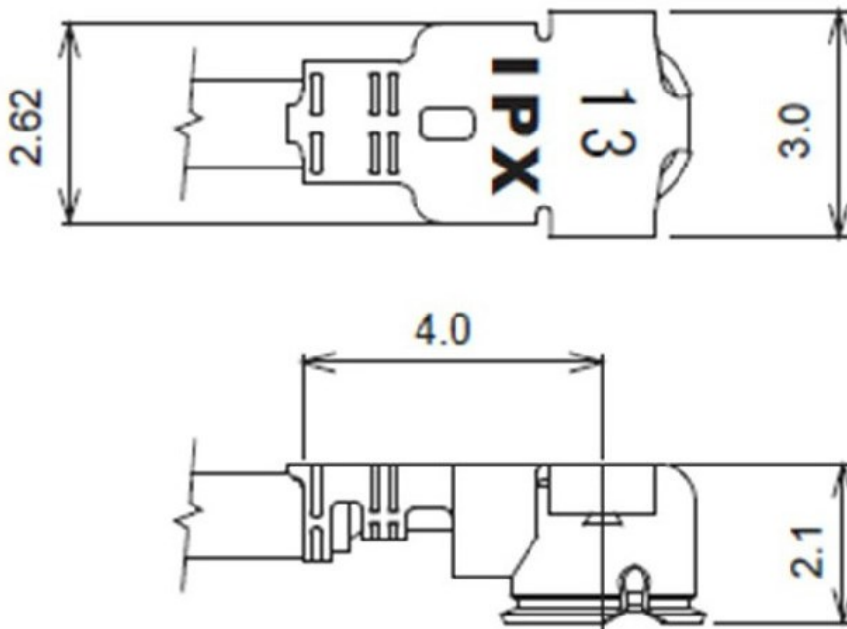


Figure 9. Specification of IPEX Wire

### 6.6 Basic Operation of Hardware Design

1. It is recommended to offer the module a DC stabilized power supply, a tiny power supply ripple coefficient, and reliable ground. Please pay attention to the correct connection between the positive and negative poles of the power

supply. Otherwise, the reverse connection may cause permanent damage to the module.

2. Please ensure the supply voltage is between the recommended values. The module will be permanently damaged if the voltage exceeds the maximum value. Please ensure a stable power supply and no frequently fluctuating voltage.
3. When designing the power supply circuit for the module, it is recommended to reserve more than 30% of the margin, which is beneficial to the long-term stable operation of the whole machine. The module should be far away from the power electromagnetic, transformer, high-frequency wiring, and other parts with large electromagnetic interference.
4. The bottom of the module should avoid high-frequency digital routing, high-frequency analog routing, and power routing. If it has to route the wire on the bottom of the module, for example, it is assumed that the module is soldered to the Top Layer, the copper must be spread on the connection part of the top layer and the module, and be close to the digital part of the module and routed in the Bottom Layer (all copper is well-grounded).
5. Assuming that the module is soldered or placed in the Top Layer, it is also wrong to randomly route the Bottom Layer or other layers, which will affect the spurs and receiving sensitivity of the module to some degree.
6. Assuming that there are devices with large electromagnetic interference around the module, which will greatly affect the module performance. It is recommended to stay away from the module according to the strength of the interference. If circumstances permit, appropriate isolation and shielding can be done.
7. Assuming that there are routings of large electromagnetic interference around the module (high-frequency digital, high-frequency analog, power routings), which will also greatly affect the module performance. It is recommended to stay away from the module according to the strength of the interference. If circumstances permit, appropriate isolation and shielding can be done.
8. It is recommended to stay away from devices whose TTL protocol is the same 2.4 GHz physical layer, for example, USB 3.0.

## 6.7 Trouble Shooting

### 6.7.1 Unsatisfactory Transmission Distance

1. When there is a linear communication obstacle, the communication distance will be correspondingly weakened. Temperature, humidity, and co-channel interference will lead to an increase in the communication packet loss rate. The performance of ground absorption and reflection of radio waves will be poor when the module is tested close to the ground.
2. Seawater has a strong ability to absorb radio waves, so the test results by the seaside are poor.
3. The signal attenuation will be very obvious if there is metal near the antenna or if the module is placed inside the metal shell.
4. The incorrect power register set or the high data rate in the open air may shorten the communication distance. The higher the data rate, the closer the distance.

5. The low voltage of the power supply is lower than the recommended value at ambient temperature, and the lower the voltage, the smaller the power is.
6. The unmatched antennas and modules or the poor quality of the antenna will affect the communication distance.

### 6.7.2 Vulnerable Module

1. Please ensure the supply voltage is between the recommended values. The module will be permanently damaged if the voltage exceeds the maximum value. Please ensure a stable power supply and no frequently fluctuating voltage.
2. Please ensure the anti-static installation and the electrostatic sensitivity of high-frequency devices.
3. Due to some humidity-sensitive components, please ensure the suitable humidity during installation and application. If there is no special demand, it is not recommended to use at too high or too low temperature.

### 6.7.3 High Bit Error Rate

1. There are co-channel signal interferences nearby. It is recommended to be away from the interference sources or modify the frequency and channel to avoid interferences.
2. The unsatisfactory power supply may also cause a garble. It is necessary to ensure the power supply's reliability.
3. If the extension wire or feeder wire is of poor quality or too long, the bit error rate will be high.

### 6.8 Electrostatics Discharge Warnings

The module will be damaged by the discharge of static. RF-star suggests that all modules should follow the 3 precautions below:

1. According to the anti-static measures, bare hands are not allowed to touch modules.
2. Modules must be placed in anti-static areas.
3. Take the anti-static circuitry (when inputting HV or VHF) into consideration in product design.  
Static may result in the degradation in performance of the module, even causing failure.

### 6.9 Soldering and Reflow Condition

1. Heating method: Conventional Convection or IR/convection.
2. Solder paste composition: Sn96.5/Ag3.0/Cu0.5
3. Allowable reflow soldering times: 2 times based on the following reflow soldering profile.
4. Temperature profile: Reflow soldering shall be done according to the following temperature profile.
5. Peak temperature: 245 °C.

Table 7. Temperature Table of Soldering and Reflow

Profile Feature	Sn-Pb Assembly	Pb-Free Assembly
Solder Paste	Sn63 / Pb37	Sn96.5 / Ag3.0 / Cu0.5
Min. Preheating Temperature ( $T_{min}$ )	100 °C	150 °C
Max. Preheating Temperature ( $T_{max}$ )	150 °C	200 °C
Preheating Time ( $T_{min}$ to $T_{max}$ ) ( $t_1$ )	60 s ~ 120 s	60 s ~ 120 s
Average Ascend Rate ( $T_{max}$ to $T_p$ )	Max. 3 °C/s	Max. 3 °C/s
Liquid Temperature ( $T_L$ )	183 °C	217 °C
Time above Liquidus ( $t_L$ )	60 s ~ 90 s	30 s ~ 90 s
Peak Temperature ( $T_p$ )	220 °C ~ 235 °C	230 °C ~ 250 °C
Average Descend Rate ( $T_p$ to $T_{max}$ )	Max. 6 °C/s	Max. 6 °C/s
Time from 25 °C to Peak Temperature ( $t_2$ )	Max. 6 minutes	Max. 8 minutes
Time of Soldering Zone ( $t_p$ )	20±10 s	20±10 s

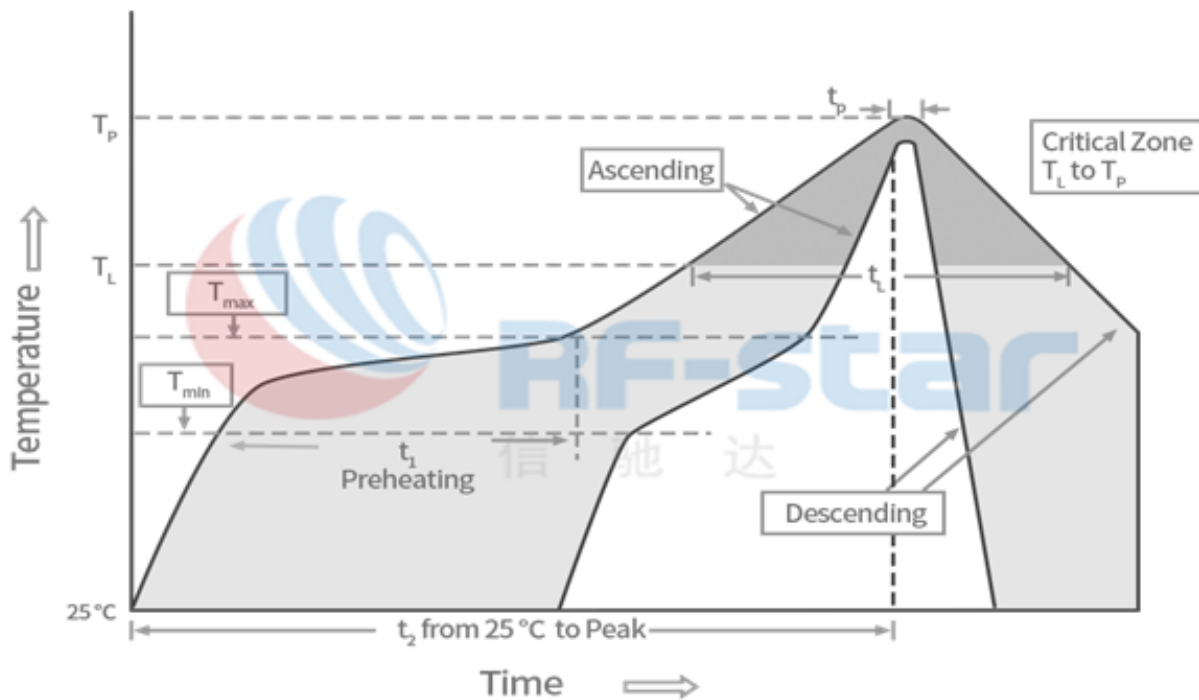


Figure 10. Recommended Reflow for Lead-Free Solder



### 7 Optional Package Specification

The default package method is **by tray**. If you need the modules to be shipped by tape & reel, pls contact us in advance.

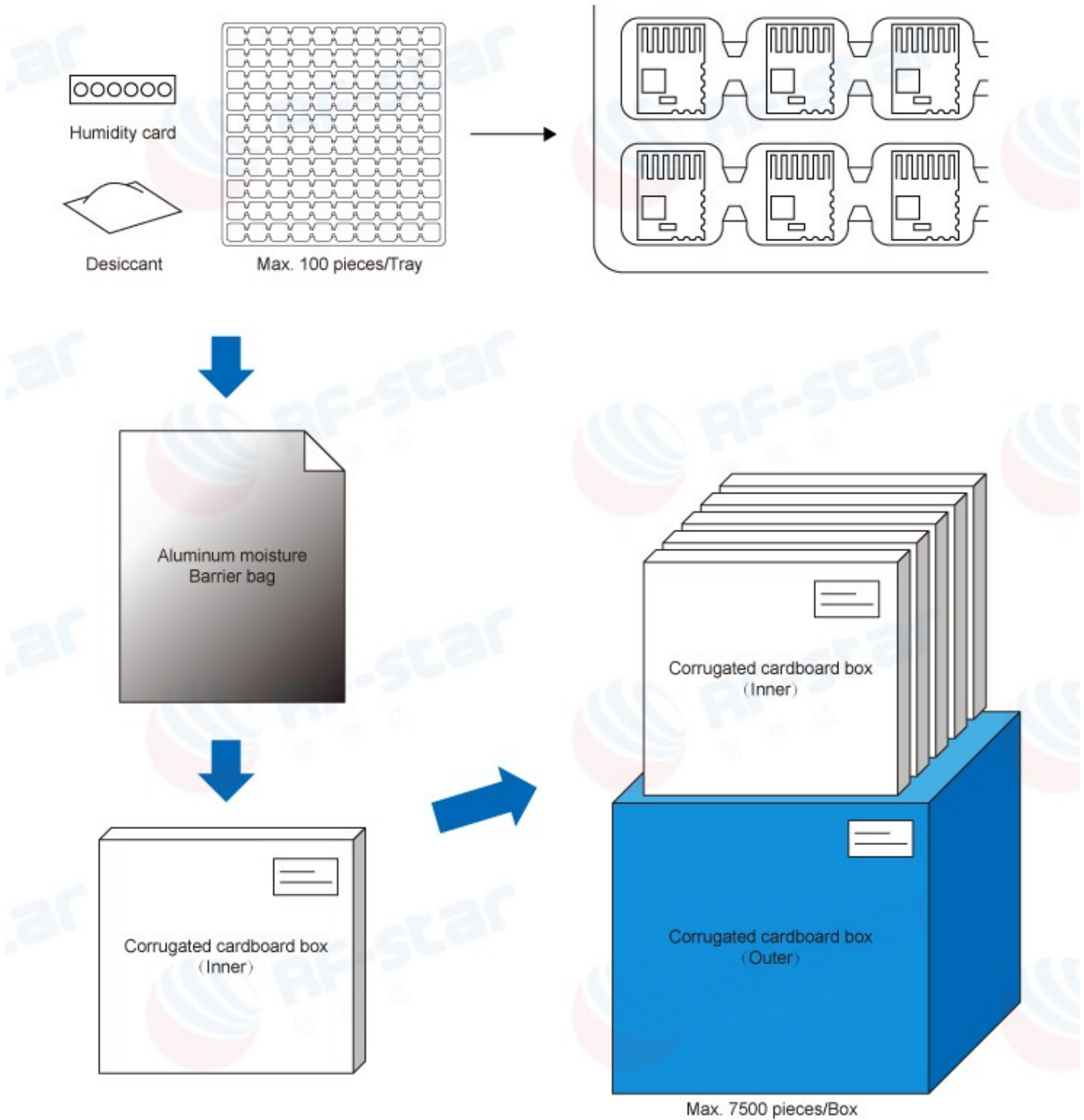


Figure 11. Default Package by Tray

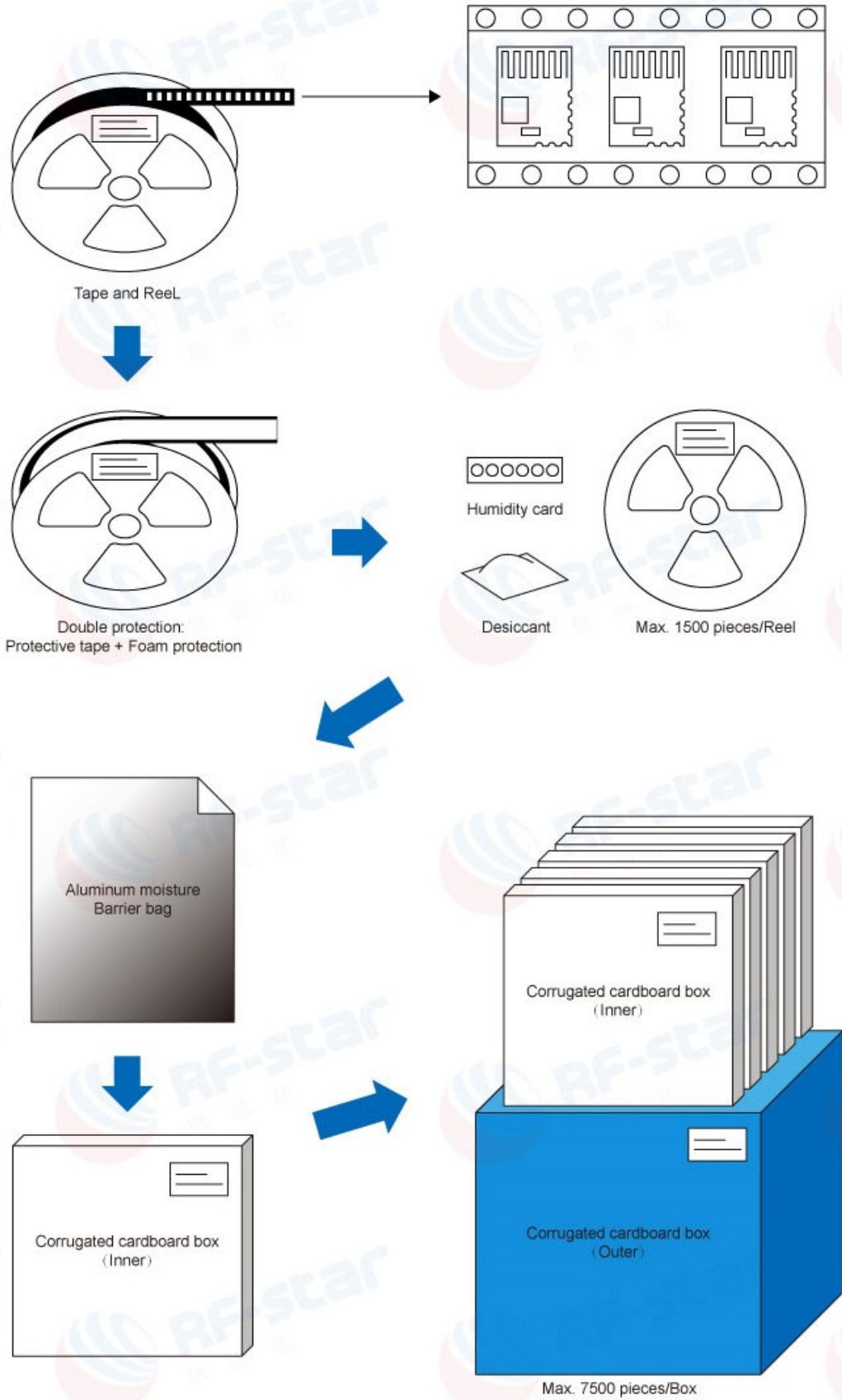


Figure 12. Package by Tape & Reel

## 8 Revision History

Date	Version No.	Description
2023.09.01	V1.0	The initial version is released.
2024.05.21	V1.0	Add the reference design. Update the Recommended PCB Footprint.
2024.06.06	V1.1	Add the setting of the frequency offset register. Add the no floating specification of the debugging IOs. Update the reference design.

Note:

1. The document will be optimized and updated from time to time. Before using this document, please make sure it is the latest version.
2. To obtain the latest document, please download it from the official website: [www.rfstariot.com](http://www.rfstariot.com) and [www.szrfstar.com](http://www.szrfstar.com).



## 9 Contact Us

### SHENZHEN RF-STAR TECHNOLOGY CO., LTD.

#### Shenzhen HQ:

Add.: Room A503, Podium Building No. 12, Shenzhen Bay Science and Technology Ecological Park, Nanshan District, Shenzhen, Guangdong, China, 518063

Tel.: 86-755-8632 9829

#### Chengdu Branch:

Add.: N2-1604, Global Center, North No. 1700, Tianfu Avenue, Hi-Tech District, Chengdu, Sichuan, China, 610095

Tel.: 86-28-8692 5399

Email: [sunny@szrfstar.com](mailto:sunny@szrfstar.com), [sales@szrfstar.com](mailto:sales@szrfstar.com)

Web.: [www.rfstariot.com](http://www.rfstariot.com), [www.szrfstar.com](http://www.szrfstar.com)

